

# INSTRUCTION MANUAL

# CHIAPPA firearms

## M9-22



NASGW



OFFICIAL SPONSOR

**ATTENTION:** BEFORE REMOVING THIS FIREARM FROM ITS PACKAGE READ & UNDERSTAND WARNINGS, INSTRUCTIONS AND PRECAUTIONS IN THIS USER'S MANUAL

# INDEX

WARNINGS .....	3
SAFETY RULES .....	4
IDENTIFYING MARKINGS.....	5
AMMUNITION .....	6
SAFETY FEATURES .....	8
BREAK-IN PERIOD .....	8
LOADING .....	9
SIGHT ADJUSTMENT .....	10
SHOOTING/FIRING.....	10
UNLOADING.....	11
DISASSEMBLY (FIELD STRIPPING).....	11
ASSEMBLY.....	13
CLEANING .....	13
LUBRICATION.....	14
ORDINARY & EXTRAORDINARY MAINTENANCE .....	14
TROUBLESHOOTING TIPS .....	15
WARRANTY CONDITIONS.....	17
MODEL RANGE .....	20
EXPLODED VIEW .....	21
PARTS LIST .....	22

## **WARNINGS**

The manufacturer is not responsible for damage to objects caused by misuse of the gun or for injuries to persons or animals, or in case of death, caused voluntarily or involuntarily by the gun user.

The manufacturer is not responsible for injuries caused by poor maintenance, misuse of the gun, unauthorized or improper modifications.

The manufacturer declines responsibility for the indirect consequences of any injuries and / or death of persons or animals, damage to objects caused by use of the gun or by primer explosion, by bullet's ricochet, or unsafe loading practices and / or procedure.

Read the entire manual and learn the proper use of the gun without live ammunition. It is important that you understand the proper use of this product.

The life of the people close to you may depend on your safe behaviour.

If the manual is not clear, please contact the dealer where you bought the gun or call the distributor or the manufacturer by using the contact information provided within this manual.

**The manufacturer declines any responsibility for misuse of the firearm. In case of alteration of the firearm, The manufacturer declines any civil and penal responsibility and will not refund any damage.**

**QUALITY INSPECTION:** Every firearm is thoroughly inspected by the manufacturer, for function and cosmetic blemish, prior to shipment.

To guarantee the gun is safe, all guns produced in the Italian facility are sent to the National Proof House of Gardone Val Trompia – BRESCIA – ITALY for proof testing, in compliance with Italian law. The Proof House tests the firearm with heavy loads then checks the barrel, chamber and headspace to make certain the firearm is safe for use with standard factory ammunition. The National Proof House will put their markings on the gun, certifying the gun is qualified and can be sold.

Guns produced in our US facility are scrupulously tested in our premises.

### **Warning!**

**Discharging firearms in poorly ventilated areas, cleaning firearms, or handling ammunition may result in exposure to lead or other substances known to the State of California to cause birth defects, reproductive harm, and other serious physical injury. Have adequate ventilation at all times. Wash hands thoroughly after exposure.**

**ANY LEGAL DISPUTE WILL BE UNDER THE JURISDICTION OF A COURT IN THE STATE OF OHIO – USA, OR IN THE COURT OF BRESCIA – ITALY, AT OUR DISCRETION.**

## **SAFETY RULES**

1. Read the instructions carefully before use. Reading the manual and careful examination of the gun are fundamental to avoid any kind of problem.
2. Be aware that you are handling a firearm; therefore your knowledge and behaviour may affect your life and those of the people close to you.
3. Guns and ammunitions must be kept in separate places.
4. ALWAYS keep guns and ammunitions out of reach of children.
5. Store the gun in a clean, dry and airy place after use to avoid rust in mechanical parts that may cause serious problems in functioning after a period of inactivity.
6. The gun must ALWAYS be stored unloaded, ALWAYS check that the chamber is empty.
7. Keep away from open flame or heating sources.
8. Never leave a loaded gun unattended.
9. Never leave the weapon loaded, it could fall and cause injury and death. Always point the gun in a safe direction, and handle it as though it were loaded. This is especially important when loading and unloading the gun, and when handing it to someone else. Never take someone's word that it is unloaded. Always make sure the gun is unloaded before laying it down or handing it to someone else.
10. After use, clean and lubricate the inside of the barrel with appropriate oil. Grease or oil build up can cause excessive pressure and result in serious personal injuries. Before using the gun again, inspect the barrel and chamber to make certain that there are no obstructions in the bore. Remove any oil residue with rod and dry patch before shooting.
11. Accumulation of rust in the barrel can cause excessive pressures resulting in serious injury and may cause the explosion of the barrel. A rusted, pitted or eroded barrel should be replaced.
12. Before shooting ALWAYS check to ensure that the barrel is free of obstructions.
13. Never force a jammed action, this act could cause explosion of the round and consequent injury.
14. Use exclusively factory loaded ammunition of the caliber specified on the firearm barrel. Use of different calibers may cause serious personal injuries to you and to people close to you.
15. In case of misfire, manually extract the cartridge from the chamber. If firearm fails to fire when trigger is pulled, as a result of slow primer ignition (hangfire), keep muzzle pointed downrange for a minimum of 30 seconds. If the round does not fire, remove the magazine, clear the weapon and examine the ejected, unfired cartridge. If the indent from the firing pin is off center, light or absent, take the gun to a competent gunsmith. If the indent appears normal compared to other rounds, assume a faulty round, separate from other cartridges, reload and continue shooting.
16. Do not attempt to re-use unexploded ammunitions.
17. NEVER modify any parts of your gun. Any alteration may cause serious personal injury and voids the warranty.
18. Only a qualified gunsmith may service the gun for repair or serious maintenance.
19. Pay great attention during transportation and use. Mechanical safety devices can fail. Developing intelligent, good safety habits is the best way to prevent accidents.
20. Never rest your finger on the trigger until the very moment you wish to shoot. Always keep the safety on until you are ready to safely shoot at an intended target (see safety features).  
Note: Safety devices on guns are extras and are not a substitute for your proper and safe handling practices.
21. ALWAYS keep the gun unloaded when transporting it from home to the shooting areas. Carefully check that cartridge chamber is empty.
22. When you walk around with the gun in a shooting area, ALWAYS keep the muzzle pointed in a safe direction.
23. NEVER run with a loaded gun, don't cross any obstacle (fences or water courses, etc.) or walk where there is any possibility of slipping or falling without having your firearm unloaded and in safety position.
24. When selecting a place to shoot, always be absolutely sure of your target and the area behind it before you touch the trigger, making sure there is an adequate backstop which

will stop and contain bullets. A bullet can travel through or past your target with a range up to 1 1/2 miles. If you have any doubt, do not shoot.

25. Never shoot against a solid surface or in a pool of water, the projectiles could ricochet and shoot toward any direction. Don't shoot up into the sky.
26. Keep all bystanders behind you, standing beside a shooter is not a safe position. Make sure all other shooters and bystanders are well away from the ejection port.
27. Do not smoke while handling, loading or shooting any ammunition, especially black powder. Keep black powder in a closed container at all times, reclosing the container after each and every use.
28. Never drink alcoholic beverages or take any drugs before or during shooting, as this not only constitutes criminal disregard for your safety and that of others, but will seriously impair your judgment and vision. Never use a gun while you are taking medication unless you have checked with your doctor to ensure your fitness to handle the gun safely.
29. Always wear and encourage others near you to wear proper ear protection when shooting, especially on a range since the noise from your gun, and other guns close to you, could result in permanent hearing loss.
30. Always wear protective shooting glasses to protect your eyes from injury by gun powder, gas, lubricant, dirt or metallic particles, carbon residue, sparks or other debris.
31. Wash hands thoroughly after shooting and handling firearms to remove any unwanted residues.
32. NEVER leave the loaded firearm or the loaded magazine in the sun
33. By replica firearms there is no modern safety. In this case you must pay even more attention to safety rules.

REMEMBER: No mechanical safety device is infallible.

**The user is responsible for injuries or damages caused to him or to other persons.**

**COMPLETE KNOWLEDGE OF YOUR FIREARM CAN MAKE THE DIFFERENCE.**

## **IDENTIFYING MARKINGS**

Every gun we produce has a serial number that is marked on the receiver/frame. Close to the serial number you will also find the manufacturers information with the model name and caliber marked either on the frame or the slide as required by law.

**These markings must not be removed from the firearm for any reason.**

## **AMMUNITION**

**ATTENTION: For best performance of the M9-22 we recommend the use of quality .22 LR ammunition with a minimum velocity of 335 m/s ( 1100 f/s)**

**Please allow 100-150 rounds for initial “Break-In” period**

### **NOTICE**

**WE SPECIFICALLY DISCLAIM RESPONSIBILITY FOR ANY DAMAGE OR INJURY WHATSOEVER OCCURRING IN CONNECTION WITH, OR AS THE RESULT OF, THE USE OF FAULTY, OR NONSTANDARD, OR “REMANUFACTURED” OR HANDLOADED (RELOADED) AMMUNITION, OR OF CARTRIDGES OTHER THAN THOSE FOR WHICH THE FIREARM WAS ORIGINALLY CHAMBERED.**

- Death, serious injury, and damage can result from the use of wrong ammunition, bore obstructions, powder overloads, or incorrect cartridge components.
- Use only ammunition specifically recommended for your firearm (the caliber is specified on the barrel/cylinder/frame).
- Always use cartridges whose length is equal or inferior to that indicated on the barrel.
- Use only high quality, original factory manufactured ammunition whose pressure cannot be higher than the one stated by S.A.A.M.I. or C.I.P.
- Your gun has been designed for ammunition of a specific caliber – do not alter the barrel, chamber, caliber for which your gun was designed.
- Be sure you never mix ammunition.
- Firearms may be severely damaged, and serious injury to the shooter or others may result from any condition causing excessive pressure inside the chamber or barrel during firing. Excessive pressure can be caused by obstruction in the barrel, propellant powder overloads, or by the use of incorrect or defectively assembled cartridges. In addition, the use of a dirty, corroded or damaged cartridge can lead to a burst cartridge case and consequent damage to the firearm and personal injury from the sudden escape of high-pressure propellant gas within the firearm's mechanism.

Immediately stop shooting and check the barrel for a possible obstruction whenever:

- You have difficulty in, or feel unusual resistance in chambering a cartridge
- A cartridge misfires (does not go off)
- The mechanism fails to extract a fired cartridge case
- Unburned grains of propellant powder are discovered spilled in the mechanism
- A shot sounds weak or abnormal

In such cases it is possible that a bullet is lodged part way down the barrel. Firing a subsequent bullet into the obstructed barrel can damage the firearm and cause serious injury to the shooter or bystanders.

Bullets can become lodged in the barrel:

- If the cartridge has been improperly loaded without propellant powder, or if the powder fails to ignite. Ignition of the cartridge primer alone will push the bullet out of the cartridge case, but usually does not generate sufficient energy to expel the bullet completely from the barrel.
- If the bullet is not properly seated tightly in the cartridge case. When such a cartridge is extracted from the chamber without being fired, the bullet may be left behind in the bore at

the point where the rifling begins. Subsequent chambering of another cartridge may push the first bullet further into the bore.

- If there is any reason to suspect that a bullet is obstructing the barrel, immediately unload the firearm and look through the bore. It is not sufficient to merely look in the chamber. A bullet may be lodged some distance down the barrel where it cannot easily be seen. If a bullet is in the bore, do not attempt to shoot it out by using another cartridge, or by blowing it out with a blank or one from which the bullet has been removed. Such techniques can generate excessive pressure, damage the firearm and cause serious personal injury. If the bullet can be easily removed with a wood or brass dowel, (using hand pressure only, never "hammer" a bullet lodged in the bore) clean any unburned powder grains from the bore, chamber and mechanism before resuming shooting. If the bullet cannot be dislodged by tapping it with a cleaning rod, take the firearm to a gunsmith.
- Dirt, corrosion, or other foreign matter on a cartridge can impede complete chambering and may cause the cartridge case to burst upon firing. The same is true of cartridges which are damaged or deformed.
- Don't oil cartridges, and be sure to wipe the chamber clean of any oil preservative before commencing to shoot. Oil interferes with the friction between cartridge case and chamber wall that is necessary for safe functioning, and subjects the firearm to stress similar to that imposed by excessive pressure.
- Use lubricants liberally on the moving parts of your firearm. Avoid excessive spraying of any aerosol gun care product, especially where it may get on ammunition. All lubricants, and aerosol spray lubricants in particular, can penetrate cartridge primers and cause misfires. Some highly penetrative lubricants can also migrate inside cartridge cases and cause deterioration of the propellant powder; on firing, the powder may not ignite. If only the primer ignites, there is a danger that the bullet may become lodged in the barrel.

**The use of reloaded or improper ammunition voids the warranty.**

**Slide Design** - Do not attempt to tighten the slide in order to gain accuracy! The Chiappa M9-22 is a "Fixed Barrel Blow Back" design, in order to maintain reliable function, minimal friction must be maintained. Any attempt to make the "slide to frame" a tighter fit will have adverse effects and minimize reliable function.

Due to the fixed barrel design, any additional free-play with the slide fit will have little impact on the accuracy of this handgun. By design, the reliable return of the slide in combination to both front & rear sights being fixed onto a single component which maintain a constant, the free-play found with the slide will not be exaggerated, but maintain a constant as well. This design will have little variation regardless if it is at 10, 25 or even 50 yards providing the sights are properly aligned, which is a variable only you, the shooter can control.

## **SAFETY FEATURES**

**NEVER ASSUME THE GUN IS UNLOADED. You can never be sure a gun is unloaded unless you check that the charger is not in place/ the cartridge chamber / magazine tube / cylinder is completely empty.**

**Never rely solely on mechanical features alone - always be extremely careful, use safe gun handling practices, and avoid situations which could lead to an accident.** This firearm is equipped with several safety features which, if properly employed, can minimize the danger of accidental discharge.

### TRIGGER GUARD

The trigger guard is a loop of metal that surrounds the trigger, protecting it from damage or accidental discharge.

### AUTOMATIC TRIGGER SAFETY

The trigger safety blocks the trigger until the slide is completely closed on the cam breech. The safety is automatically activated.

### AUTOMATIC SAFETY

Like by original M9 models, Chiappa Firearms' M9-22 has an automatic safety located on the slide which will block the firing pin before pulling the trigger

### MANUAL SAFETY

The manual safety is located on the slide. When you turn the safety knob to "S" position (safety), the firearm cannot fire and the hammer will automatically fall.

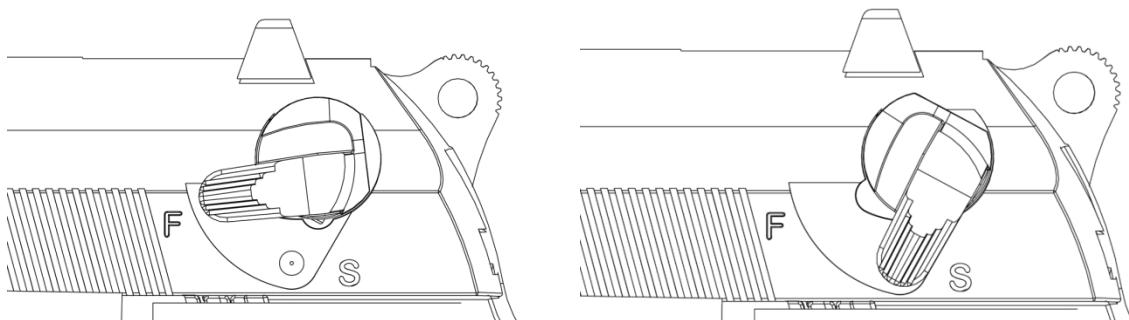
In order to shoot again, you have to turn the safety knob to firing position again ("F"), manually cock the hammer or shoot in double action.

### INERTIA FIRING PIN

The firing pin is held in a rearward position by spring tension. Being shorter than the housing, it cannot protrude through the face of the slide until the spring tension and inertia of the pin itself is overcome by the force of the falling hammer.

## **BREAK-IN PERIOD**

Before firing the pistol for the first time, Field Strip and clean the firearm following proper procedures. For proper Break-in of the firearm shoot 100-150 rounds of High-velocity, quality Factory Ammunition. After the Break-In period, clean and lubricate the gun every 200-300 rounds.

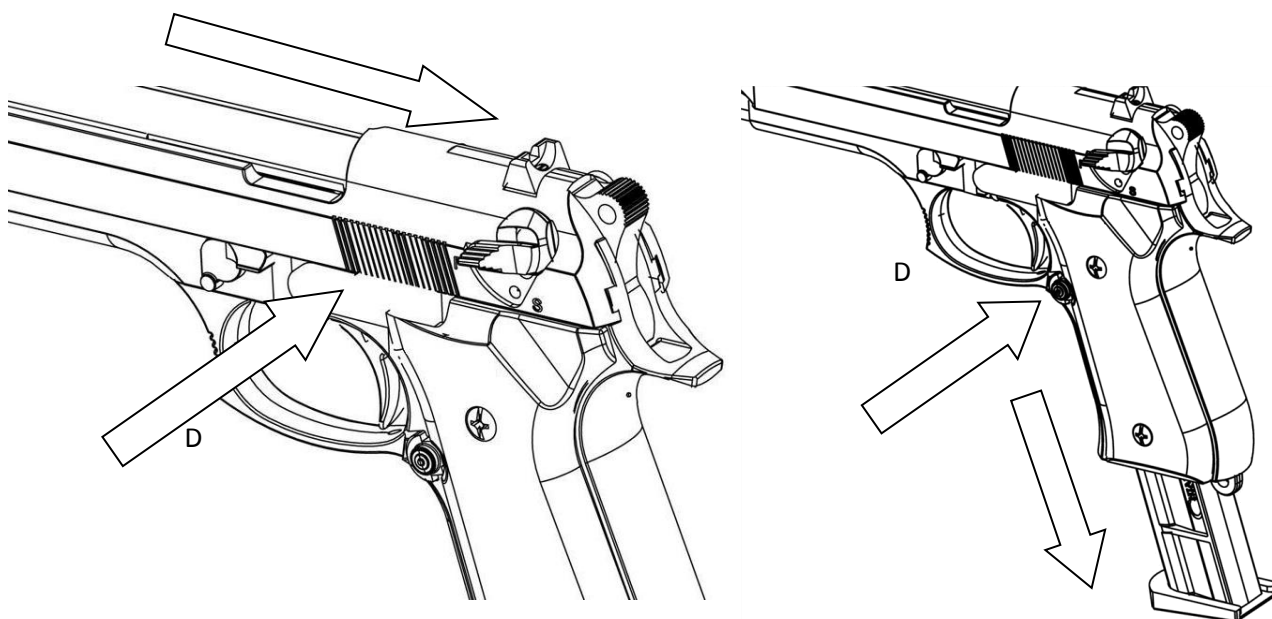




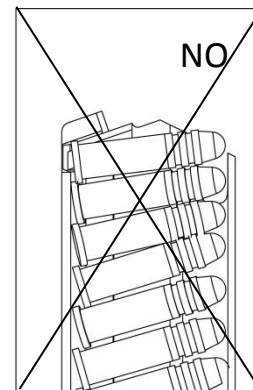
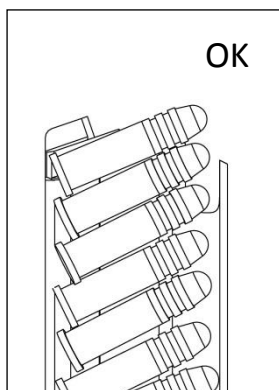
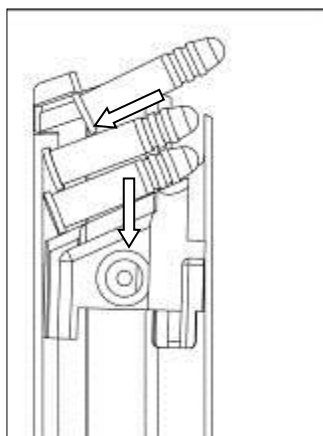
## **LOADING**

**Warning:** Keep muzzle pointed in safe direction and follow all safety procedures at all times. Practice these steps with an unloaded gun or dummy ammo until you are completely familiar and comfortable with the procedures. Use live ammo only when you are prepared to shoot. Always use clean, dry, high quality ammunition (of the proper caliber) that meets industry performance standards.

1. With an empty magazine in the pistol, pull back the slide until the slide stop engages the slide stop notch and the slide locks back.
2. To release the empty magazine from the frame, hold hand under magazine and push the magazine catch (D) which is located on the left side of the frame behind the trigger. This will cause the magazine to fall free of the magazine well.



3. To load the magazine, place the round at the top (open end), push down and back making sure that the back of the cartridge is facing the rear of the magazine. Repeat this procedure until magazine is fully loaded. Tap the back side of the magazine against the palm of your hand to insure the proper alignment of the cartridges.



4. Place the magazine in the magazine well in the frame, with the rounds facing forward, and push up until magazine is fully seated. A click will be heard when this is done properly as the magazine catch engages.
5. To chamber a round, point the pistol in a safe direction. Without touching the trigger, push downward on the slide stop (no. 41) with your left-hand thumb or left index finger. Allow the slide to go forward unhindered. Do not "ride" the slide down to the forward position. Keeping your hand on the slide may cause a misfeed, or stop the slide from fully closing.
6. When cartridges fail to feed, check the following:
  - Substandard ammunition.
  - Cartridge overall length too short or too long.
  - Bullet nose too blunt.
  - Damaged Magazine
  - Ensure that the firearm is clean with no buildup of carbon or dirt.

## **SIGHT ADJUSTMENT**

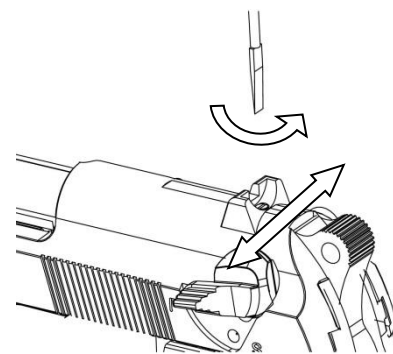
**Front Sight** - The front sight of your "Standard Model" M9-22 is a fixed sight and has been designed to allow extra material so that it can be "filed" to adjust for the individual shooter one time. Once the front sight has been filed to proper adjustment, the sight can be blued with a "Cold Blue" product such as G-96 or other popular instant gun blue products. Without adjustment, your new M9-22 handgun will typically shoot 2"- 4" low at 25 yards.

**Rear Sight** - The standard rear sight is adjustable for windage. To adjust your point of impact to the "RIGHT", unscrew the rear sight screw and move the rear sight to the right; to adjust your point of impact to the "LEFT", move the rear sight to the left. The front sight has extra height and can be adjusted only once for elevation by using a file and carefully filing the top of the front blade to meet the individual shooters requirements.

## **SHOOTING/FIRING**

Always wear eye and hearing protection when shooting.

1. Point muzzle in a safe direction.
2. Load pistol as previously directed.
3. Grip the frame firmly.
4. With your finger well clear of the trigger, lower the safety lever.
5. Place index finger on trigger, take aim and gently squeeze rearward until hammer is released and falls forward striking the firing pin. Be prepared for loud noise and recoil.



**Note:** This is a semi-automatic pistol and will cock the hammer each time the slide moves to the rear, eject the empty cartridge and chamber a new round. It will continue to fire with each subsequent pull of the trigger until all rounds in the magazine have been fired.

6. Continue procedure until magazine is empty and slide is locked open.
7. If all rounds have not been fired and you wish to stop shooting, immediately engage slide stop and follow procedures for unloading previously described.
8. The gun can be also used in double action. In this case, if you have manually set the knob on "safety" and then "firing" position, it is not necessary to manually cock the hammer but it is enough to pull the trigger again; the hammer will be automatically cocked and the gun is ready to shoot.

## **UNLOADING**

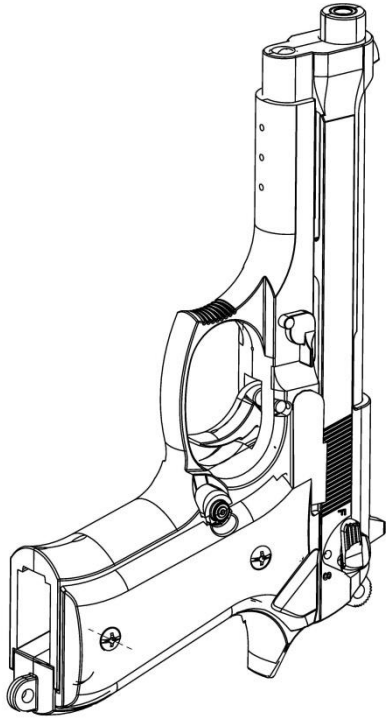
1. To unload, first remove magazine as in step 1 and 2 of previous section.
2. If all of the rounds from the magazine have been fired, slide will automatically lock in the open position. If not, repeat step 4. If magazine is not removed prior to this procedure, any rounds left in it will be chambered, which could lead to an unintentional discharge. The pistol will fire with a round chambered and the magazine removed.
3. If slide has not automatically locked in the rearward position as a result of firing the last round from the magazine, do it manually and visually inspect the chamber to ensure that it is clear.
4. Release slide forward onto the empty chamber by pulling slide fully rearward and releasing or by manually rotating the slide stop downward past the slide stop notch. Ease the slide closed.
5. Pull the trigger easing the hammer to fall forward on the firing pin. Don't let the hammer fall, but be careful to hold it until it reaches the firing pin, or you will cause the pistol to dry fire. NOTE: Never Dry Fire an M9-22 pistol, this can damage the chamber face and or firing pin.
6. To remove any remaining rounds from the magazine, push the cartridges forward until they clear the magazine one at a time.

**Remember to always unload the magazines: they should NEVER be left loaded for any length of time.**

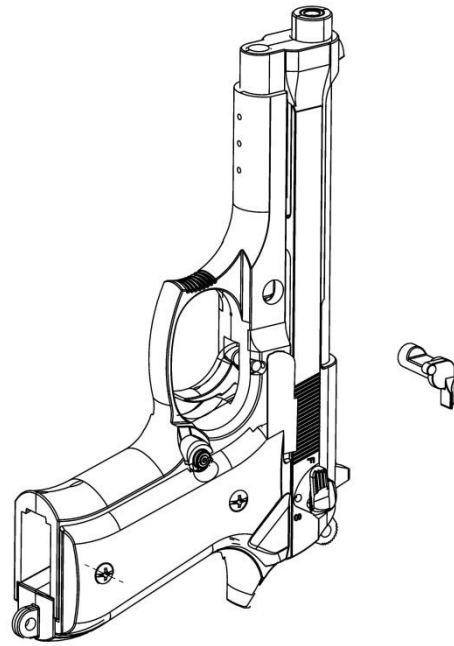
## **DISASSEMBLY (FIELD STRIPPING)**

Always follow the disassembly instructions exactly. Never do anything beyond what you are specifically instructed to do in this manual. Never alter or modify the parts in your firearm. This product should be cleaned after every use and when exposed to dirt, sand, etc. When not in use, store in a clean dry location.

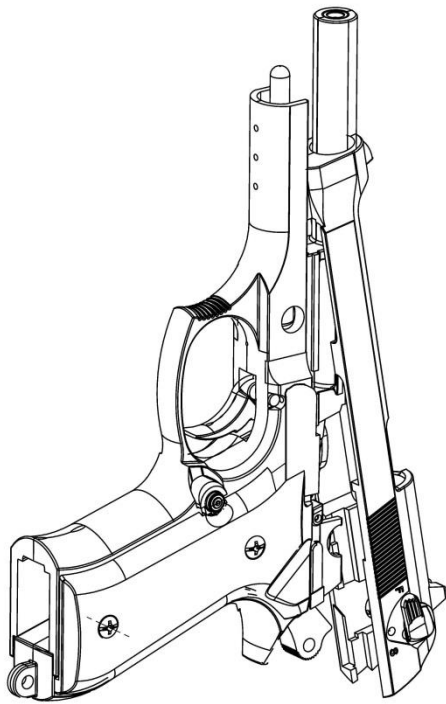
1. With the pistol unloaded, the magazine removed and the hammer down, pull the slide to the rear exposing the hole in the guide rod. Insert a small tool (Paper clip or wire will work) into the hole in the guide rod and release the pressure on the slide until the slide presses against tool and push the slide forward.
2. Remove the disassembly lever (Slide Stop) indicated in picture no. 2.
3. Pull back the slide completely until you can slip it off by lifting the back of the slide and then push the slide assembly forward removing it from the receiver.
4. Remove the recoil spring guide and the spring.
5. The M9-22 is now field stripped and ready for cleaning.



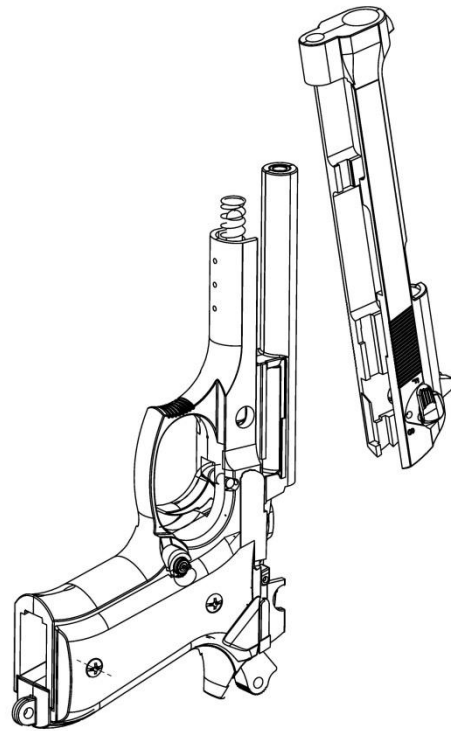
PICTURE NO. 1



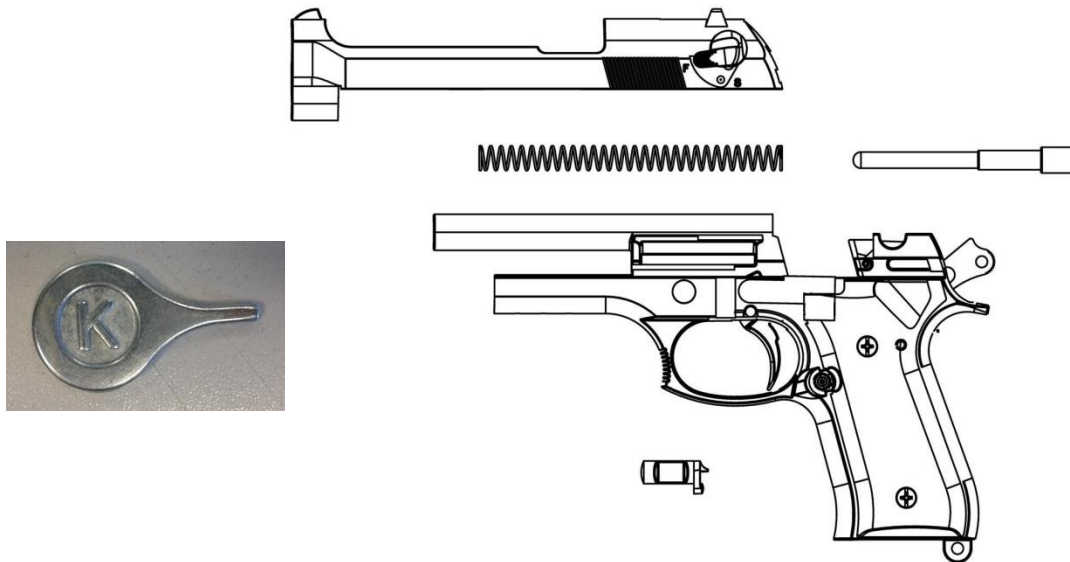
PICTURE NO. 2



PICTURE NO. 3



PICTURE NO. 4



## **ASSEMBLY**

1. With the hammer in the full cock position, slide the slide assembly over the front of the barrel, push the slide to the rear and press the rear of the slide down, press the hammer down\* while moving the slide forward into position. \*Use the special key supplied with the gun to push the hammer down and push the slide forward.
2. Place the recoil spring guide inside the slide letting drop into position while keeping the pistol in a vertical position. Make sure the recoil spring guide is positioned correctly; place the spring on the recoil spring guide.
3. Insert the empty magazine.
4. Push the slide slightly back until you can see a hole in the recoil spring guide using the special key supplied with the pistol. Insert the key inside the recoil spring guide and push the slide forward.
5. Insert the disassembly pin on the left side of the pistol.
6. Remove the key
7. Function check the pistol by cycling the slide a few times and check with an empty magazine in place to insure that the slide stop lever is working correctly.

**NOTE: Never Dry Fire an M9-22 pistol, this can damage the chamber face and or firing pin.**

## **CLEANING**

**Attention: Careful and detailed cleaning of this firearm is essential to guarantee its safety and proper function.**

This product should be cleaned after every use and when exposed to dirt, sand, etc. When not in use, clean at least twice per year. A careful and scrupulous ordinary clearing of the firearms is essential to guarantee its safety and long life. We recommend that the weapon is cleaned after every 200 to 300 rounds. This may vary depending on the type of ammunition used.

- Every time you use your gun it is advised to clean it in order to remove all corroding agents (moisture, powder or lead residues etc.) which overtime will affect the performance of your pistol.
- In order to perform a standard cleaning, it is sufficient to utilize a good solvent, cleaning oil, and a little brush.

- For a deeper cleaning & preventative maintenance, please contact your local gunsmith.

**Warning: Always use a cleaning rod from the chamber end of the barrel.**

1. Disassemble pistol as described in previous section.
2. Run a wet patch through the bore. Let soak a few minutes. (Always read the manufacturers' directions of the bore cleaner you are using.)
3. Run a dry patch through to remove loose crud/deposits.
4. Run a wet bore brush through the chamber end of the barrel a few times.
5. Run a dry patch to remove the dirt.
6. Repeat steps 4 and 5 a few times until the patch comes out clean.
7. Lightly oil the barrel. NOTE: Run a dry patch through the barrel before firing to remove oil.
8. Wipe off all dirt on all bearing surfaces on slide and frame.
9. Clean breech face and all parts (an old toothbrush or similar nylon brush works well).
10. Follow lubrication directions before reassembling.

## **LUBRICATION**

With the pistol dis-assembled, use a quality gun oil (grease is not recommended). If oil contains Teflon be sure to shake well before using as the Teflon settles when left overnight. Lubricate the following internal parts of the pistol:

- a. Slide and Frame rails (do not over oil)
- b. Hammer and trigger - Small drop.
- c. Magazine housing.
- d. Barrel mouth.
- e. Behind and beneath the slide.
- f. Slide Stop pin - one drop, spread with finger.
- g. Outside of Barrel - Oil. Do not over oil, spread with fingertip.
- h. Cock Hammer - one drop in between the hammer and frame.

Assemble the pistol, operate the Slide 5-6 times, and wipe off excess oil from gun. Ease the hammer down checking that the trigger engagement is working properly, **Do not dry fire!** Make sure that you store the gun with oil in the barrel and chamber, before shooting, run a dry patch through the barrel and inspect for any obstructions.

The key is moderation. Not enough oil and your gun may not function properly and lead to undo wear. Too much oil and you risk attracting damaging dirt and debris to the bearing surfaces causing undo wear and potential functioning problems. All metal parts even Stainless Steel should be lightly lubricated. For long term storage or if you live in a particularly damp or salty area, a good quality rust preventative should be used.

## **ORDINARY & EXTRAORDINARY MAINTENANCE**

- Before conducting any sort of maintenance, make sure the firearm is unloaded.
- By "ordinary maintenance" we refer to measures the user should take to keep the gun in good working conditions.
- An "Extraordinary maintenance" implies the replacement of broken parts and therefore disassembling the gun. In this case only authorized personnel or a qualified gunsmith should handle the task.
- Also a long period of heavy use or inactivity requires an extraordinary maintenance; your gun should be taken to a qualified gunsmith to have the action disassembled for professional cleaning and lubrication.
- Your gunsmith will advise the best lubricant for the good maintenance of your gun.

- Do not leave oil residues when cleaning and lubricating your firearm.
- Make sure that the mechanism of the weapon is easy; if it starts to stiffen, or if corrosion is starting on some essential parts, you should bring your gun to competent, professional personnel.
- Do not use pure silicon or lanolin.
- In the following pages you will find exploded views with a list of all parts. When ordering parts, it's important to specify date of purchase, serial number, model, caliber and item reference of the part/s needed.
- If the gun has a problem that you cannot fix, **DO NOT FIRE**, send it to an authorized center for a check-up. If you try to fix it personally, you may put in serious danger yourself and the people near you. Always pay great attention and handle the gun very carefully, in order to avoid terrible accidents which may change your life and that of others.

**VERY IMPORTANT:**

**NEVER LEAVE MAGAZINES LOADED FOR ANY LENGTH OF TIME!**

If you leave the magazine loaded, it may deteriorate and become useless.

The spring will wear, the lips may be damaged, and the frame of the magazine may swell causing the assembly and disassembly extremely difficult.

Unloading the magazine immediately after using the gun is a practice of safety and good maintenance.

**TROUBLESHOOTING TIPS**

PROBLEM	CAUSE	SOLUTION
<b>Last Round slide Stop Failure</b>	Slide travel not sufficient	Use slightly faster ammunition, remember the gun is tuned to shoot ammo 335m - 1100 ft/sec
	Too high velocity in recoil	Use slightly less powerful ammunition, too much velocity may compromise the correct functioning of the slide stop
	Dirt / Debris in Action	If you have been shooting for a while or using ammunition with excessive fouling, it may be necessary to clean the firearm.
<b>The slide doesn't cycle correctly or is stuck</b>	Not enough pressure to cycle	Use Higher Velocity Ammo, remember the gun is tuned to shoot ammo 1100 fps (335 m/sec) or greater.
	Dirt / Debris in Action	Disassemble and clean the gun carefully
	Ammunition too short for chamber.	Check the ammunition / Consider different types of ammunition
<b>Fail to Fire (DNF)</b>	Slide not completely closed	Carefully clean the slide and barrel & chamber area
	Ammunition with rim out of tolerance	Change type or brand of ammunition
	Weak hammer spring	Contact our service center
	Firing pin damaged or broken	Contact our service center to obtain a new firing pin
<b>Failure to Extract Empty Shell</b>	Dirty chamber	Clean cartridge chamber with cleaning brush

<b>PROBLEM</b>	<b>CAUSE</b>	<b>SOLUTION</b>
	Damaged Chamber	Contact a professional gunsmith to polish the chamber
	Damaged Extractor	Contact our service center to obtain a new extractor
	Weak Extractor Spring	Contact our service center to obtain a new extractor spring
<b>The empty shell does not eject (stove pipe)</b>	Damaged ejector	Replace magazine
	Dirty chamber	Clean cartridge chamber with cleaning brush
	Damaged chamber	Contact a professional gunsmith to polish the chamber
	Damaged extractor	Contact our service center to obtain a new extractor
	Weak extractor spring	Contact our service center to obtain a new extractor spring
<b>The slide stays completely open</b>	Dirt / Debris in Action	Disassemble and carefully clean the gun
	Weak recoil spring	Contact our service center to obtain a new spring.
<b>Ammunition does not chamber</b>	Incorrect Ammunition	Check the ammunition and change type if necessary
	Dirt / Debris in action or chamber	Disassemble and carefully clean the gun
	Magazine not properly seated	Check the magazine for correct fit and operation.
	Bullet crimp / design	Check the ammunition and change type if necessary
<b>The gun fires with safety "On"</b>	Mechanical Issue	Do not attempt to use the gun, contact our service center immediately to arrange shipment of the gun
<b>Barrel bushing hard to disassemble</b>	Tolerance too close	Turn the bushing 90°, use a plastic hammer to move it out.
<b>The gun shoots low (Standard model)</b>	Front sight needs adjustment	Gradually lower the front sight (with a file) until you reach the correct point of impact. (note: different types of ammunition may have a different POI - Point of Impact)
<b>The gun shoots low Target model)</b>	Rear sight needs adjustment	Lift the rear sight to raise the point of impact or vice versa to lower it.
<b>Shooting left or right (Windage)</b>	Rear sight needs adjustment	Move the rear sight the opposite direction of error (If POI "Point of Impact" is left of center, move the rear sight to the right)



## **WARRANTY CONDITIONS**

The manufacturer guarantees that our products are scrupulously checked against defects in materials, workmanship and aesthetical and functioning problems.

In case you find a defect in one of our products, you should immediately contact the DEALER/SHOP/GUNSMITH where you have bought your gun. The seller will indicate the conditions for the repair, which will be either made directly by them or through our assistance.

ATTENTION: end users are not allowed to ship any gun directly to the manufacturer for repair, either under guarantee or against payment. Transportation of weapons is strictly regulated and the documents which are required can solely be issued by companies with specific authorization.

1. The manufacturer guarantees, for a year after the purchase date, the free substitution of parts for defects which have been found out during use: wear of parts which shouldn't be subject to wear, or excessive wear of parts subject to wear. The customer will have to give evidence of the purchase date with a bill or other valid proof.
2. In case the defect under cover of guarantee is not repairable, The manufacturer will provide for a free substitution of the weapon.

**THE MANUFACTURER RESERVES THE RIGHT OF DEFINING THE TYPE OF DEFECT OF THE FIREARM, AND THEREFORE TO STATE WHETHER THE DEFECT IS COVERED BY GUARANTEE**

**The manufacturer's decision will be fair but final.**

The manufacturer will be allowed a timing of 60 days for repair under guarantee, and 90 days for free substitution.

**Should the manufacturer become aware of a defect of a product during the guarantee period, the defective part will be replaced free of charge.**

### **The guarantee does not cover parts subject to wear and corrosion**

**ATTENTION:** delivery expenses to and from the service center are not covered by the guarantee and will be charged to the customer.

**THE GUARANTEE IS VOID IN CASE:**

- Inadequate ammunition has been used (any ammunition but those commonly on sale, reloaded ammunition, different from caliber and specification indicated on the firearm barrel)
- The firearm failed to be provided proper maintenance and cleaning
- The firearm has been modified without our prior consent
- Unauthorized, inadequate or incorrect repairs have been carried out
- Non original spare parts were used
- Parts subject to wear and corrosion
- Damage (improper use of the gun by the user)
- Expired guarantee

In the above cases the repair, if carried out, will be charged to the customer

In case, for any valid reason, you do not have the possibility to obtain repair under guarantee at the shop where you bought the firearm, you may contact us directly; we will indicate a local dealer to support you with the repair file:

**USA - Phone: +1-937-835-5000**  
**CANADA (Murray Charlton) – Phone +1-778.426.3884**  
**e-mail: [murray.mdcent@gmail.com](mailto:murray.mdcent@gmail.com)**  
**REST OF THE WORLD - Phone: +39/030/9749065**  
**e-mail: [info@chiappafirearms.com](mailto:info@chiappafirearms.com)**

**This instruction manual must always follow the firearm,  
also in case of change of ownership**

**Procedure for the use of warranty**

REGISTER your firearm in the proper section of our website:

<http://www.chiappafirearms.com/registration>

CONTACT the gunshop where the product was bought, or the Chiappa Firearms facility for USA, Canada or Rest of the World as indicated above. You will receive an NDR number and the instructions to return the gun.

FILL IN the attached form, which will accompany the return firearm. Don't forget to include the NDR number, a description of the defect and a copy of the proof of the purchase indicating the purchase date.

SHIP the weapon to the gun shop (or to the service center) in its original packing, according to the instructions you have received.

**ATTENTION:** the returned firearm must be protected with adequate packaging; any damages occurred during transportation and handling will be the customer's responsibility

**REPAIR UNDER GUARANTEE**

NdR NDR : _____
-----------------

**Please write in the above box  
the Repair Authorization Number**

**1. Customer data:**

- Name: \_\_\_\_\_
- Address : \_\_\_\_\_
- Town : \_\_\_\_\_
- ZIP Code : \_\_\_\_\_
- Phone : \_\_\_\_\_ Available from \_\_\_\_ to \_\_\_\_
- Fax : \_\_\_\_\_
- Email address: \_\_\_\_\_

**2. Product information:**

- Model : \_\_\_\_\_
- Serial number : \_\_\_\_\_

**3. Gun Shop - dealer:**

- Purchase date : \_\_\_\_\_
- Dealer name : \_\_\_\_\_
- Dealer address: \_\_\_\_\_

**4. Description of defect:**

\_\_\_\_\_

\_\_\_\_\_

\_\_\_\_\_

\_\_\_\_\_

\_\_\_\_\_

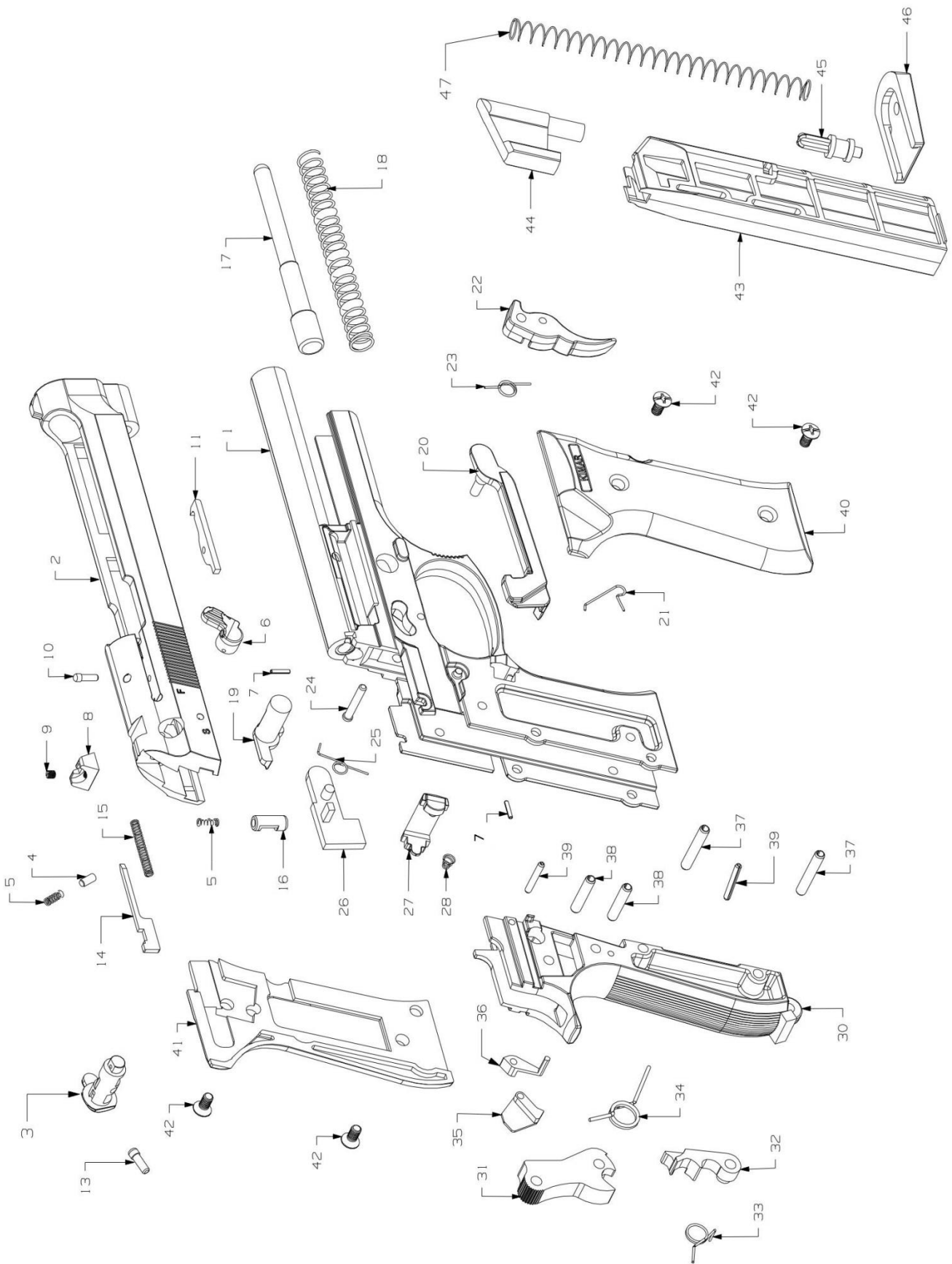
\_\_\_\_\_

Documents to attach: Proof of purchase with date

# MODEL RANGE

EUROPE CODE	401.074	401.075	401.076	-
USA CODE	CF401.077	CF401.078	CF401.079	401.104
DESCRIPTION	M9-22 Standard Pistol, .22LR, BL	M9-22 Pistol, .22LR, BL Wooden grips	M9-22 TACTICAL Pistol, .22LR BL	M9-22 Pistol grip combo 2 sets of grips
Availability	ALL	ALL	ALL	U.S.A. only
CALIBER	.22LR	.22LR	.22LR	.22LR
Barrel length	5,2"	5,2"	5,2"	5,2"
in	13,2	13,2	13,2	13,2
cm	8"3/4	8"3/4	8"3/4	8"3/4
Total length	22	22	22	22
in	6	6	6	6
cm	1 X 16 in	1 X 16 in	1 X 16 in	1 X 16 in
Grooves	Single	Single	Single	Single
Twist	1,05	1,05	1,05	1,05
Trigger	2,3	2,3	2,3	2,3
Weight	Black plastic	Wooden check.	Black plastic	Black plastic + Wooden check.
Kg	Black	Black	Black	Black
lbs	Black	Black	Black	Black
Stock/Grips	Single stack	Single stack	Single stack	Single stack
Barrel	10	10	10	10
Receiver/Frame	DOVE TAIL	DOVE TAIL	750.114 Targ/Tac	DOVE TAIL
Magazine	750.169	750.169	O98.372 Tactical (Novak style)	750.169
Shots	2 magazines	2 magazines	2 magazines	2 magazines
Front sight				
Rear sight				
NOTES				

# EXPLODED VIEW



# PARTS LIST

CODE	DESCRIPTION	401.074	M9-22 Pistol, .22LR, BL	401.075	M9-22 Pistol, .22LR, BL	401.076	M9-22 TACTICAL Pistol, .22LR BL	401.104	M9-22 Pistol grip combo 2 sets of grips	REF.	EXPLODED VIEW REFERENCE
700.153	Corpo M9-22 STANDARD NERO	1		1		1		1		1	
710.315	Carrello M9-22 TACTICAL NERO									2	
710.314	Carrello M9-22 STANDARD NERO	1		1				1		1	
750.170	Sicura Sinistra M9-22	1		1		1		1		1	
130.000	Rullino testa bombata d.3x6,8	1		1		1		1		1	
720.019	Molla spir. 2,6x7,5x0,35	1		1		1		1		1	
750.171	Sicura Destra M9-22	1		1		1		1		1	
130.001	Spina .1,5x8 spiroil legg.	2		2		2		2		2	
750.169	Tacca di mira M9-22	1		1		1		1		1	
104.007	Grano T cacc. M3x3 p. piana	1		1		1		1		1	
130.090	Spina elastica 2.5x10 spiroil	1		1		1		1		1	
770.567	Estrattore M9-22	1		1		1		1		1	
730.955	Piolo percussore M9-22	1		1		1		1		1	
760.150	Percussore M9-22	1		1		1		1		1	
720.031	Molla spir. 3,4x25x0,4	1		1		1		1		1	
730.956	Sicura Auto. M9-22	1		1		1		1		1	
740.016	Spintone 92 auto	1		1		1		1		1	
720.124	Molla spir.9.6X105X0.85 31 spire	1		1		1		1		1	
740.015	Manettino smont. 92 auto	1		1		1		1		1	
740.014	Leva collegam. D.A. 92 auto	1		1		1		1		1	
721.005	Molla spec.coll.D.A. 85	1		1		1		1		1	
740.011	Grilletto 92 auto	1		1		1		1		1	
721.004	Molla spec.grilletto 92 auto	1		1		1		1		1	

## PARTS LIST

CODE	DESCRIPTION	M9-22 Standard Pistol, .22LR, BL				M9-22 Tactical Pistol, .22LR BL				EXPLODED VIEW REFERENCE
		401.074	401.075	401.076	401.104	401.074	401.075	401.076	401.104	
730.002	Perno grilletto 92 auto	1	1	1	1	1	1	1	1	124
721.145	Molla spec. ult. colpo M9-22	1	1	1	1	1	1	1	1	125
740.013	Leva ultimo colpo 92 auto	1	1	1	1	1	1	1	1	126
740.012	Bottone caricatore 92 auto	1	1	1	1	1	1	1	1	127
721.003	Molla spec. bottone 92-85	1	1	1	1	1	1	1	1	128
740.334	Dorso M9-22	1	1	1	1	1	1	1	1	130
770.562	Cane M9-22	1	1	1	1	1	1	1	1	131
770.565	Nottolino M9-22	1	1	1	1	1	1	1	1	132
721.001	Molla spec. nottolino 92 auto	1	1	1	1	1	1	1	1	133
721.184	Molla spec. cane M9-22	1	1	1	1	1	1	1	1	134
770.563	Leva Hammer Drop M9-22	1	1	1	1	1	1	1	1	135
770.564	Leva Sicura AUTO M9-22	1	1	1	1	1	1	1	1	136
130.004	Spina elas. 4x26 spirol pesante	2	2	2	2	2	2	2	2	137
130.099	Spina cilindrica d. 4.5x20	2	2	2	2	2	2	2	2	138
130.003	Spina elas. d. 2.5x18 spirol	2	2	2	2	2	2	2	2	139
780.124	Guancina destra legno M9-22 CF				1					140
750.172	Guancetta DX. 92 CF	1				1				140
780.125	Guancina sinistra legno M9-22 CF				1					141
750.173	Guancetta SX. 92 CF	1				1				141
110.001	Vite trilob. T.G.S. M4x8 grez	4	4	4	4	4	4	4	4	142
750.150	Contentore caricatore M9-22	1	1	1	1	1	1	1	1	143
750.151	Elevatore caricatore M9-22	1	1	1	1	1	1	1	1	144
750.152	Piolo caricatore M9-22	1	1	1	1	1	1	1	1	145
750.153	Fondello caricatore M9-22	1	1	1	1	1	1	1	1	146
720.104	Molla spir. 8.6X125X0.6	1	1	1	1	1	1	1	1	147
720.001	Molla spir. 2,9x8,3x0,45	2	2	2	2	2	2	2	2	148



Via Milano 2  
25010 Azzano Mella (BS)  
Italy

[www.chiappafirearms.com](http://www.chiappafirearms.com)  
email: [info@chiappafirearms.com](mailto:info@chiappafirearms.com)

**OFFICIAL SPONSOR**

