

# INSTRUCTION MANUAL

**CHIAPPA**  
firearms

## FAS 6004 Airgun



**PNEUMATIC PISTOL**

**Cal. 4,5 (.117)**

**LEAD PELLETS**



**NASGW**



**OFFICIAL SPONSOR**

# INDEX

FAS 6004 TECHNICAL CHART:.....	3
WARNINGS .....	3
SAFETY RULES .....	4
IDENTIFYING MARKINGS.....	4
LOADING THE PISTOL.....	5
ADJUSTMENT OF THE TRIGGER.....	5
ADJUSTMENT OF REAR SIGHT.....	6
ADJUSTMENT OF THE GRIP (“MATCH” MODEL).....	6
UNLOADING THE PELLET .....	6
CLEANING AND MAINTENANCE .....	6
PARTS LIST .....	8
EXPLODED VIEW .....	9
WARRANTY CONDITIONS.....	10

## **FAS 6004 TECHNICAL CHART:**

<b>SKU</b>	440.040 Standard grip 440.041 Match grip, Medium 440.043 Match grip, Large
<b>Type of Gun</b>	single shot air pistol
<b>Caliber</b>	.177 (4.5mm)
<b>Action</b>	pneumatic
<b>Barrel</b>	7.5" (19 cm), carbon steel
<b>Feeding</b>	single shot
<b>Trigger System</b>	single, fully adjustable
<b>Trigger weight</b>	0.9 lb (500 gr)
<b>Grip</b>	Walnut; Standard version: ambidextrous; Match version: adjustable
<b>Front Sight</b>	Fixed
<b>Rear Sight</b>	Steel, adjustable in elevation and windage
<b>Velocity</b>	330 ft/ps (approx)
<b>Weight</b>	from 2 lbs (990 gr)
<b>Total length</b>	11" (28 cm)
<b>Finish</b>	Matte black

### **WARNINGS**



The manufacturer is not responsible for damage to objects caused by misuse of the gun or for injuries to persons or animals, caused voluntarily or involuntarily by the gun user.

The manufacturer is not responsible for injuries caused by poor maintenance, misuse of the gun, unauthorized or improper modifications.

The manufacturer declines responsibility for the indirect consequences of any injuries and / or death of persons or animals, damage to objects caused by misuse of the gun or unsafe loading practices and / or procedure.

This gun can be owned only by persons who have reached the legal minimum age according to the country regulations.

**QUALITY INSPECTION:** Every firearm is thoroughly inspected by the manufacturer, for function and cosmetic blemish, prior to shipment.

For long periods of inactivity the weapon must be left open.

When you re-using the gun after a long period of inactivity, you have to strokes 5-6 the pump and make 5-6 empty strokes to restore elasticity to the gaskets

**ANY LEGAL DISPUTE WILL BE UNDER THE JURISDICTION OF A COURT IN THE STATE OF OHIO – USA, OR IN THE COURT OF BRESCIA – ITALY, AT OUR DISCRETION.**

## **SAFETY RULES**

Not a toy, adult supervision required. May be dangerous up to 100 meters.

1. Keep the gun in a safe place out of reach from children. Store ammunitions separately.
2. Before putting down the gun always make sure that it is not loaded.
3. Only use correct ammunition suitable for your gun\*
4. When firing keep the gun at a safe distance and never point it towards persons or animals.
5. Never transport a loaded gun.
6. This pistol can be shot exclusively in private property and shooting ranges, always considering its range of danger. Do not show the gun in public to avoid confusion and danger.
7. Always wear shooting glasses to protect your eyes.
8. Never shoot to hard surfaces or water, the pellet may bounce off.
9. Modification of the pistol is strictly prohibited. Any modification may cause a big hazard, for the user or bystanders.
10. The Company declines any and all responsibilities for improper use of the airgun.
11. In case of tampering with the gun the Company declines any Civil and Penal responsibility and will not indemnify any damage.
12. The user is liable for any damage caused to him/herself and third person
13. Always address to professional gunsmiths in case your gun needs to be repaired (see warranty conditions)

---

\* Best results were obtained with pellet type RWS R10 match cal.4,49 / 4,50



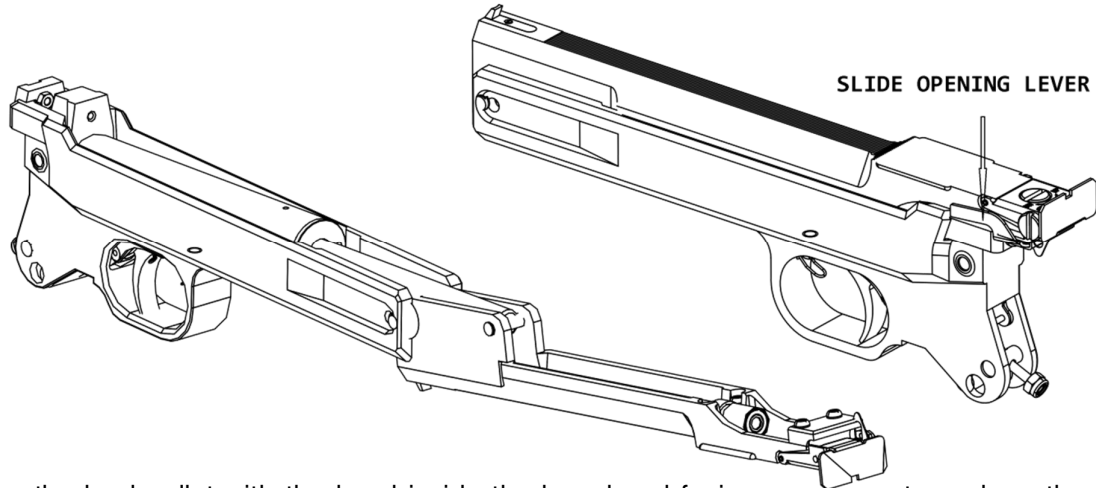
## **IDENTIFYING MARKINGS**

Every gun we produce has a serial number that is marked on the receiver/frame. Close to the serial number you will also find the manufacturers information with the model name and caliber marked either on the frame or the slide as required by law.

**These markings must not be removed from the firearm for any reason**

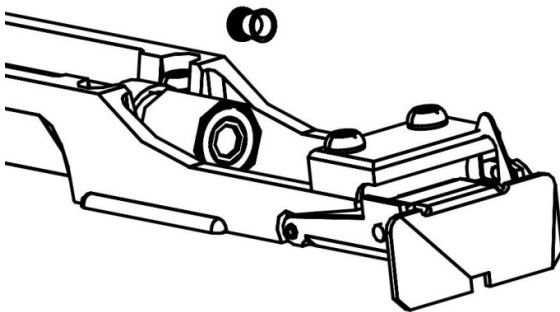
## **LOADING THE PISTOL**

Warning: Use only: .177" – 4.5 mm Caliber pellets with a maximum length of 6.5 mm  
Open the slide by pushing the release lever and at the same time pull the slide open.  
the slide must be opened completely, as the full stroke of the slide will allow the piston to draw air as necessary.



Place the lead pellet with the head inside the barrel end facing towards the rear sight. Make sure you place the pellet flush with the breech.

Close the slide back in place, to compress the air inside the piston. Pre-compression of air inside the piston will prevent any movement of the piston during shooting.



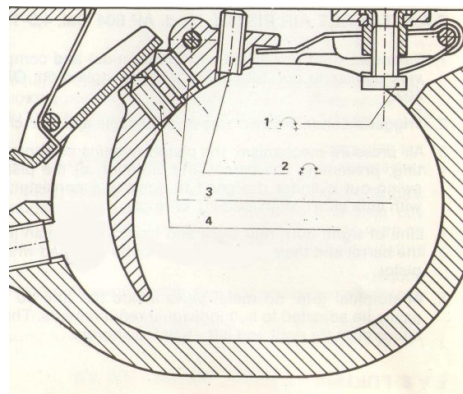
The stainless steel cylinder is designed to achieve a consistent air pressure with little effort while loading. FAS AP6004 is the quickest "barrel time" in its category: it is the only pneumatic pistol having the valve opening on the axe of the barrel, which implies that the time and effort to keep the arm steady is reduced to a minimum and

the yield of air pressure is maximised.

## **ADJUSTMENT OF THE TRIGGER**

The mechanics of FAS AP6004 allow for a number of trigger adjustments.

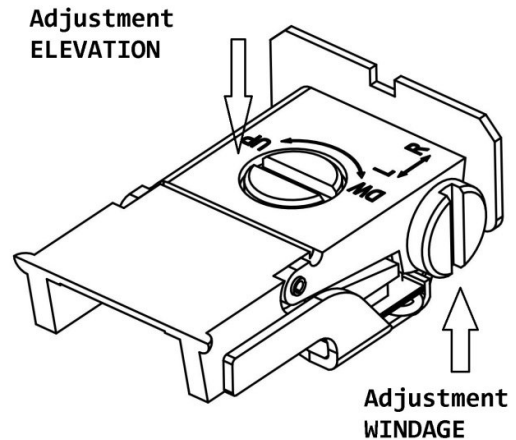
1. Weight of the trigger: to adjust trigger pressure, use screw number 1; clockwise to increase the weight of the trigger, anticlockwise to decrease the weight of the trigger
2. Stroke and position of the trigger: to adjust take-up on the trigger, use screw no. 2; clockwise for a longer stroke, anticlockwise for a shorter stroke.
3. First and second stage: to adjust the drop



point of the first stage use screw no. 3; to adjust the release of the second stage use screw no. 4.

## **ADJUSTMENT OF REAR SIGHT**

- To adjust your point of impact to the "RIGHT", tighten (clockwise) the windage sight screw on the left side of the rear sight
- To adjust your point of impact to the "LEFT", loosen (anticlockwise) the windage sight screw on the left side of the rear sight
- To adjust your point of impact "UP", loosen (anticlockwise) the elevation sight screw on top of the rear sight
- To adjust your point of impact "DOWN", tighten (clockwise) the elevation sight screw on top of the rear sight



Having the barrel integral to the slide, which is carrying front and rear sight, model FAS AP6004 features great precision.

### **AIMING AT A TARGET**



This is the correct alignment: the front sight should be seen exactly in the middle of the rear sight slit, and have the same height.

The top line of the sights should be level with the bottom of the aim.

## **ADJUSTMENT OF THE GRIP ("MATCH" MODEL)**

The FAS 6004 air pistol is available in the "Match" version with adjustable grip. Through the screws at the base of the grip, it is possible to adjust the palm shelf on your hand width.

## **UNLOADING THE PELLET**

Fire the pellet at a safe target to unload the airgun. If this is not practical, open the barrel and push the pellet from the chamber by running a cleaning rod through the muzzle end. Insert a felt cleaning pellet and discharge into a safe target.

NEVER LEAVE THE GUN UNATTENDED!

## **CLEANING AND MAINTENANCE**

Attention: Careful and detailed cleaning of this firearm is essential to guarantee its safety and proper function.

Using appropriate products is very important.

NEVER use detergent oils or lubricants for firearms.

With a soft cloth and a Teflon -based lubricant oil (PTFE) or silicone, clean the surface and the sights.

Barrel: for constant precision clean the barrel with a felt type VFG, or VFG Superintensive (abrasive) for a more aggressive cleaning



Every 100 shots you should fire 4-5 felt pads. Do not use any type of brush.

Specific products for airguns:

- "Napier Power Airgun Oil" for outer surfaces.
- "Napier 3034-A Airgun grease" for the piston and polymer materials.

Every 3000 shots apply a small amount of grease on the piston rod (ref. 16)

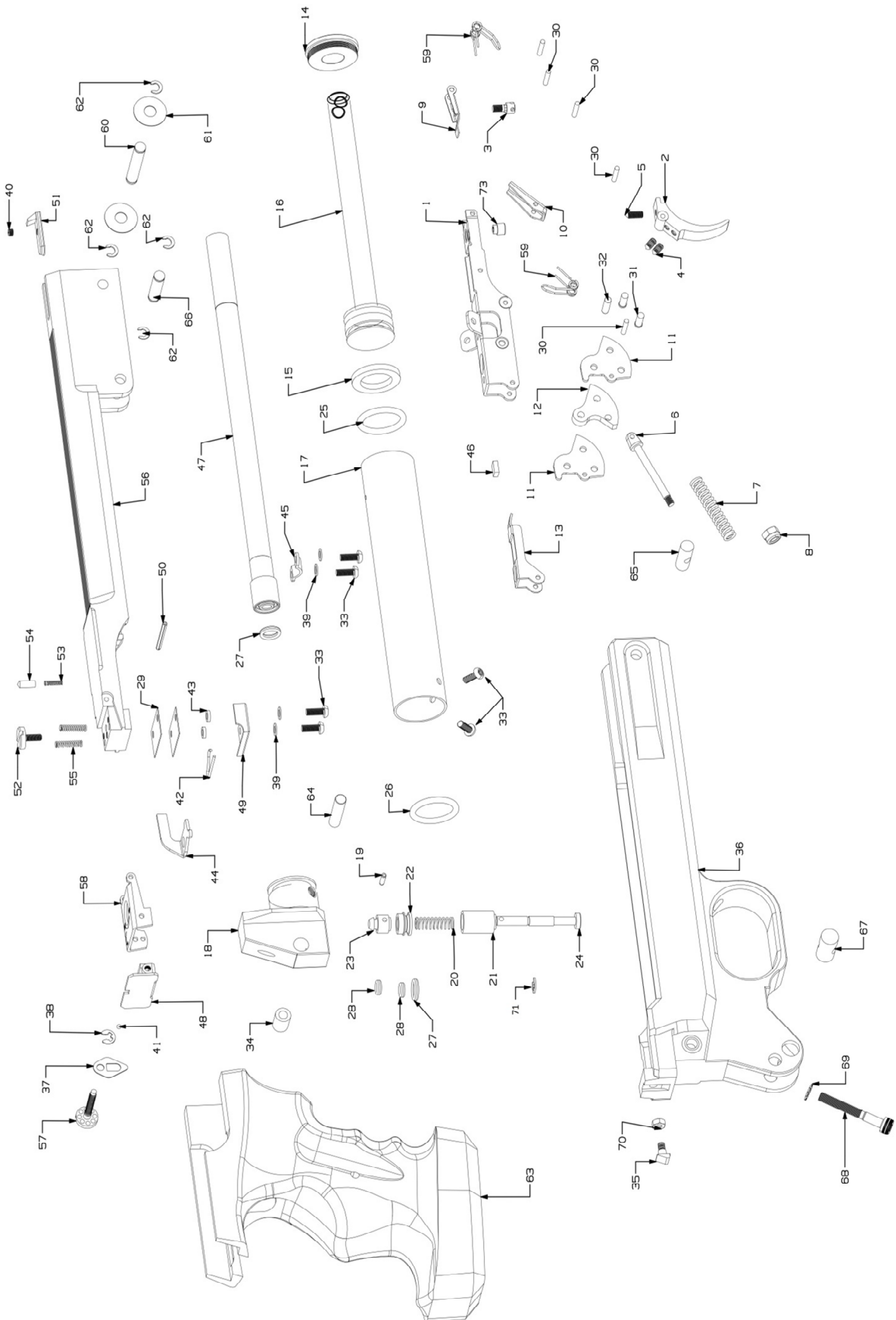


## **PARTS LIST**

<b>Ref. Code</b>	<b>Description</b>	<b>Ref. Code</b>	<b>Description</b>	
1	760.172	Slide opening lower shell	37 721.185	Click spring
2	740.472	Trigger	38 140.001	Snap ring 2,3 shaft 3
3	100.020	Screw, M3x6 t.cyl.head	39 140.024	Washer M3, rectangular section
4	104.025	Grub nut, M3x6	40 104.028	Grub nut M3x2 flat
5	104.026	Grub nut, M3x8	41 130.021	Sphere dia.2
6	731.058	Main spring guide	42 721.187	Locking spring
7	720.140	Spiral spring 5.2x32x0.9	43 760.182	Spacer
8	150.006	Nut M3, self-locking	44 760.181	Opening lever
9	760.174	Spring holder 1st stage	45 760.178	Barrel clevis
10	760.173	Pawl	46 750.234	Shock absorber Vulcollan
11	760.176	External hammer	47 731.049	Barrel
12	760.177	Inner hammer	48 760.171	Rear sight leaf
13	760.175	Hammer holder	49 760.179	Rear sight lower cover
14	731.050	Ring nut	50 130.084	Roller 2x23,8
15	160.036	Felt Washer	51 770.607	Front sight 3.5 mm
16	731.059	Piston	52 731.047	Elevation screw
17	731.051	Piston	53 720.137	Spiral spring 1.9x9x0.4
18	740.471	Valve body	54 731.048	Click pin
19	130.038	Coiled spring pin light duty 2x8	55 720.138	Spiral spring 2.8x12x0.5
20	720.139	Spiral spring 5.5x18x0.6	56 710.361	Slide
21	731.054	Valve stem spring guide	57 731.046	Rear sight side screw
22	731.053	Valve guide	58 760.170	Rear sight upper cover
23	731.052	Valve poppet	59 721.186	Sear and trigger spring
24	731.055	Valve stem	60 731.060	Pin 5x30
25	160.031	O-ring 3068 - 17.13x2.62 VITON	61 760.183	Washer 15X5.5X0.3
26	160.014	OR 2.62X17.13	62 140.022	Seeger ring H5
27	160.033	O-ring 106 - 6.75x1.78	63 780.174	Ambidextrous grip AP604
28	160.034	O-ring 2015 - 3.69x1.78	64 731.061	Pin 5x22
29	760.180	Plate	65 731.056	Hammer spring stop
30	130.062	Roller 2x11,8	66 731.062	Pin 5x20
31	731.057	Hammer rivet 3x8	67 731.045	Grip pin
32	130.023	Roller 3x11,8	68 100.021	Socket head cap screw M4x35
33	101.012	Thread forming screw TCB TORX M3X8	69 140.023	Serrated Washer D.4
34	731.076	Valve body bushing	70 150.004	Nut M3
35	731.063	Locking indent	71 140.017	Anello seeger UNI 7434-3.2
36	700.163	Frame		



# EXPLODED VIEW



## **WARRANTY CONDITIONS**

The manufacturer guarantees that our products are scrupulously checked against defects in materials, workmanship and aesthetical and functioning problems.

In case you find a defect in one of our products, you should immediately contact the DEALER/SHOP/GUNSMITH where you have bought your gun. The seller will indicate the conditions for the repair, which will be either made directly by them or through our assistance.

**ATTENTION:** end users are not allowed to ship any gun directly to the manufacturer for repair, either under guarantee or against payment. Transportation of weapons is strictly regulated and the documents which are required can solely be issued by companies with specific authorization.

The manufacturer guarantees, for a year after the date of purchase, the free substitution of parts for defects which have been found out during use: wear of parts not subject to wear, or excessive wear of parts subject to wear. The customer will have to give evidence of the purchase date with a bill or other valid proof.

In case the defect under cover of guarantee is not repairable, The manufacturer will provide for a free substitution of the weapon.

THE MANUFACTURER RESERVES THE RIGHT OF DEFINING THE TYPE OF DEFECT OF THE FIREARM, AND THEREFORE TO STATE WHETHER THE DEFECT IS COVERED BY GUARANTEE

The manufacturer's decision will be fair but final.

The manufacturer will be allowed a timing of 60 days for repair under guarantee, and 90 days for free substitution.

**Should the manufacturer become aware of a defect of a product during the guarantee period, the defective part will be replaced free of charge.**

### **The guarantee does not cover parts subject to wear and corrosion**

**ATTENTION:** delivery expenses to and from the service center are not covered by the guarantee and will be charged to the customer.

This gun has been manufactured according to the regulations of Italian laws and the Italian Proof House. If exported outside Italy, the importer/distributor will be responsible to ensure that the gun complies with the local legal requirements.

**THE GUARANTEE IS VOID IN CASE:**

- Inadequate ammunition has been used (any ammunition but those commonly on sale, reloaded ammunition, different from caliber and specification indicated on the firearm barrel)
- The firearm failed to be provided proper maintenance and cleaning
- The firearm has been modified without our prior consent
- Unauthorized, inadequate or incorrect repairs have been carried out
- Non original spare parts were used
- Parts subject to wear and corrosion
- Damage (improper use of the gun by the user)
- Expired guarantee

In the above cases the repair, if carried out, will be charged to the customer

In case, for any valid reason, you do not have the possibility to obtain repair under guarantee at the shop where you bought the firearm, you may contact us directly; we will indicate a local dealer to support you with the repair file:

**USA - Phone: +1-937-835-5000**

**e-mail: [info@chiappafirearms.com](mailto:info@chiappafirearms.com)**

**CANADA (Murray Charlton) – Phone +1-778.426.3884**

**e-mail: [murray.mdcent@gmail.com](mailto:murray.mdcent@gmail.com)**

**REST OF THE WORLD - Phone: +39/030/9749065**

**e-mail: [info@chiappafirearms.com](mailto:info@chiappafirearms.com)**

**This instruction manual must always follow the firearm,  
also in case of change of ownership**

**Procedure for the use of warranty**

REGISTER your firearm in the proper section of our website:

<http://www.chiappafirearms.com/registration>

CONTACT the gunshop where the product was bought, or the Chiappa Firearms facility for USA, Canada or Rest of the World as indicated above. You will receive an NDR number and the instructions to return the gun.

SHIP the weapon to the gun shop (or to the service center) in its original packing, according to the instructions you have received. Don't forget to include the NDR number, a description of the defect and a copy of the proof of the purchase indicating the purchase date.

**ATTENTION:** the returned firearm must be protected with adequate packaging; any damages occurred during transportation and handling will be the customer's responsibility



Via Milano 2  
25010 Azzano Mella (BS) - Italy

[www.chiappafirearms.com](http://www.chiappafirearms.com)  
email: [info@chiappafirearms.com](mailto:info@chiappafirearms.com)