

INSTRUCTION MANUAL

CHIAPPA
firearms

FAS 611



OFFICIAL SPONSOR



NASGW

NVA
Shooting



INDEX

FAS 611.....	3
WARNINGS.....	3
IDENTIFYING MARKINGS.....	4
AIR CYLINDER FILLING.....	5
LOADING THE RIFLE.....	6
ADJUSTMENT OF REAR SIGHT.....	6
ADJUSTMENT OF THE TRIGGER.....	7
UNLOADING THE PELLET.....	7
CLEANING AND MAINTENANCE.....	8
WARRANTY CONDITIONS.....	11
PARTS LIST.....	13
EXPLODED VIEW.....	14

FAS 611

FAS 611 is a PCP (pre-charged pneumatic) air rifle is designed for wide range of users, mainly by the sport shooters. Design of the air rifle complies with ISSF rules and (for Great Britain also AMTA conditions).

FAS AR611 is ready to shoot caliber .177"/4,5 mm (muzzle energy 7.5J or 16J) or .22"/5,5 (muzzle energy 40J).

Technical data	
Caliber	4,5 (.177), 5,5 (.22)
Muzzle energy (J)	7,5 / 16 / 40
Weight (Kg/lbs)	3,65/7.8
Stock length (mm/in)	700/27.5
Barrel length (mm/in)	600/24
Stock	Walnut (oil finish)
Trigger	Single, full adjustable
Barrel	Burnished

WARNINGS



Before handling the air gun read this manual carefully and observe the following safety instructions.

The manufacturer is not responsible for damage to objects caused by misuse of the gun or for injuries to persons or animals, caused voluntarily or involuntarily by the gun user.

The manufacturer is not responsible for injuries caused by poor maintenance, misuse of the gun, unauthorized or improper modifications.

The manufacturer declines responsibility for the indirect consequences of any injuries and / or death of persons or animals, damage to objects caused by misuse of the gun or unsafe loading practices and / or procedure.

This air gun can be owned only by persons who have reached the legal minimum age according to the country regulations.

QUALITY INSPECTION: Every air gun is thoroughly inspected by the manufacturer, for function and cosmetic finish, prior to shipment.

The manufacturer cannot accept responsibility for product handling while in transit, or upon leaving the factory. Therefore, please examine this rifle carefully at the time of purchase to ensure that it is unloaded and undamaged.

ANY LEGAL DISPUTE WILL BE UNDER THE JURISDICTION OF A COURT IN THE STATE OF OHIO – USA, OR IN THE COURT OF BRESCIA – ITALY, AT OUR DISCRETION.

SAFETY RULES

Not a toy, adult supervision required. Dangerous up to 100 meters.

1. Always handle your air gun as if it were loaded.
2. Never point your air gun at anything you do not intend to shoot.
3. Keep the air gun in a safe place out of reach from children. Store ammunitions separately.
4. Before putting down the air gun always make sure that it is not loaded.
5. Never abuse your air gun by using it for any purpose other than shooting.
6. Never leave a loaded air gun unattended.
7. Only use correct ammunition suitable for your gun*
8. When firing, keep the air gun at a safe distance and never point it towards persons or animals.
9. Never transport a loaded air gun.
10. This rifle can be shot exclusively in private property and shooting ranges, always considering its range of danger. Do not show the air gun in public to avoid confusion and danger.
11. Always wear eye protection.
12. Never shoot to hard surfaces or water, the pellet may ricochet.
13. Always be absolutely sure of your target, and the area behind it, before you squeeze the trigger. A bullet could travel through or past your target up to several hundred meters.
14. Modification of the rifle is strictly prohibited. Any modification may be hazardous, for the user or bystanders.
15. The Company declines any and all responsibilities for improper use of the air gun.
16. In case of tampering with the gun, the Company declines any Civil and Penal responsibility and will not indemnify any damage.
17. The user is liable for any damage caused to him/herself and third person.
18. Always address to professional gunsmiths in case your gun needs to be repaired (see warranty conditions).
19. Always be aware that corrosion, use of damaged ammunition, dropping the rifle on hard surfaces or other "coarse treatment" could cause a damage you may not see. If something like this happens, allow let the air gun to be examined and tested by a competent gunsmith.

* **Best** results were obtained with pellet type RWS R10 match cal. 4.50/.177, 0.53 g



Fig.1

IDENTIFYING MARKINGS

Every gun we produce has a serial number that is marked on the receiver/frame. Close to the serial number you will also find the manufacturers information with the model name and caliber marked either on the receiver or the AIR CYLINDER as required by law.

These markings must not be removed from the air gun for any reason!

AIR CYLINDER FILLING

USE ONLY CLEAN, FILTERED AND DRY COMPRESSED AIR!

For filling the compressed AIR CYLINDER use only compressed-air bottle, compressor or mechanical pump complying with your country's requirements for use with such devices and limited to 230 bar operation.

DO NOT ATTEMPT TO EXCEED THE 200 BAR AIR PRESSURE! The AIR CYLINDER can be damaged irreversibly and thus the gun in whole. For filling the AIR CYLINDER you can find in package an adapter (Fig.2). In package you can find also three allen keys for adjusting below mentioned options.

Do NOT USE AIR CYLINDER LONGER THEN 10 YEARS.

Filling the AIR CYLINDER with the air pressure gauge

This type of AIR CYLINDER must be first removed (unscrewed) from the gun.

- Screw the adapter (A) on the valve of the compressed-air bottle.
- Screw the AIR CYLINDER (B) on the adapter (A) attached to the valve of the compressed-air bottle.
- Check that the release screw at the adapter is closed.
- Slowly open the main bottle valve and simultaneously check the value shown by pointer of the pressure gauge. As soon as it approaches 200 bar (maximum) value, close the valve.
- Check again the value indicated by the pressure gauge.
- Turn the release screw to release the excessive air from the adapter.
- Unscrew cautiously the AIR CYLINDER from the adapter.
- Open the lever to reach the full rear position (Fig.4)
- Screw the AIR CYLINDER in the receiver.

DURING THE MANEUVERING THE REMOVED AIR CYLINDER KEEP IN MIND THAT THE GUN REMAINS COMPRESSED BY THE AIR IN THE REGULATOR. THE AIR HAS SUFFICIENT ENERGY FOR THE SHOT. WE RECOMMEND UNLOADING THIS AIR BY DRY FIRE SHOOTING WITH RIFLE MUZZLE POINTED IN A SAFE DIRECTION.

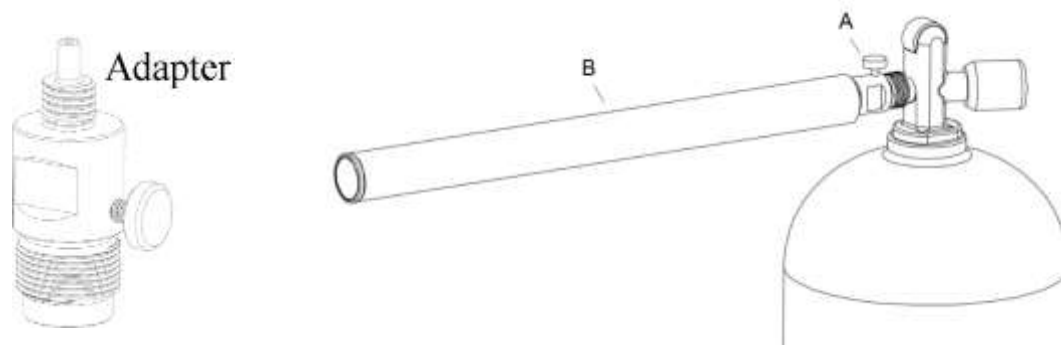


Fig.2

Note: FILLING TO A HIGHER PRESSURE WILL NOT INCREASE POWER and may actually hinder operation, filling to lower pressures will not reduce power, only the number of shots. If the rifle is continually fired when the pressure in the compressed-air AIR CYLINDER is below refill pressure (less than 60 bar), the remaining air will eventually escape through the barrel spontaneously. This is not harmful to the rifle but can cause surprise to yourself or bystanders.

Note: The rifle must be unloaded when replacing the AIR CYLINDER.

LOADING THE RIFLE

WHEN LOADING KEEP ALWAYS THE RIFLE MUZZLE POINTED IN A SAFE DIRECTION!

Before shooting check if the AIR CYLINDER, with air pressure meter, is filled. Holding the gun securely with your left hand grasp the lever handle firmly and toward the rear of the gun.

The lever will remain open when it reaches the full rear position (Fig.4), the trigger mechanism will be engaged.

The proper caliber pellet can be inserted into the pellet channel (Fig.5). Beware of its proper orientation. Push the loading lever forward and at the end of the stroke you can feel higher resistance. Overcome this resistance to push lever to the receiver. The pellet is loaded in the barrel and striking mechanism is cocked and gun is ready to shoot.

CAUTION: The gun has no trigger safety. Therefore do not insert your finger in the trigger guard in course of cocking and loading.

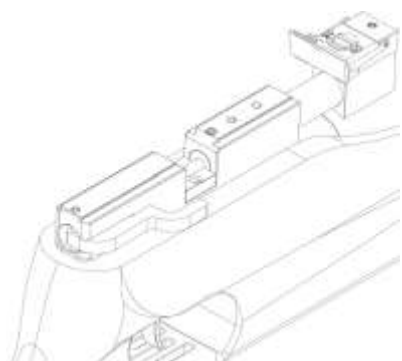


Fig.3

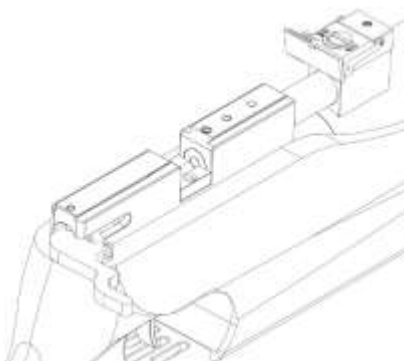


Fig.4

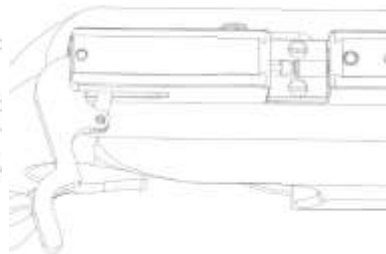


Fig.5

UNLOADING THE PELLET

Fire the pellet at a safe target to unload the airgun. If this is not practical, open the barrel and push the pellet from the chamber by running a cleaning rod through the muzzle end. Insert a felt cleaning pellet and discharge into a safe target.

NEVER LEAVE THE GUN UNATTENDED!

ADJUSTMENT OF REAR SIGHT

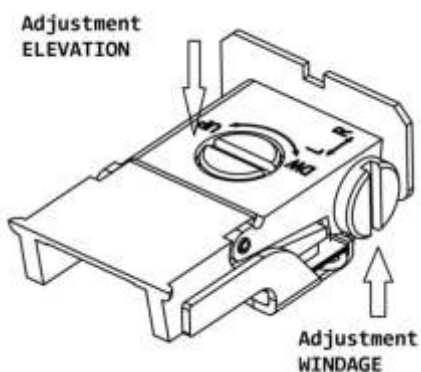


Fig.6

To adjust your point of impact to the “RIGHT”, tighten (clockwise) the windage sight screw on the left side of the rear sight

To adjust your point of impact to the “LEFT”, loosen (counterclockwise) the windage sight screw on the left side of the rear sight

To adjust your point of impact “UP”, loosen (counterclockwise) the elevation sight screw on top of the rear sight

To adjust your point of impact “DOWN”, tighten (clockwise) the elevation sight screw on top of the rear sight

AIMING AT A TARGET

This is the correct alignment: the front sight should be seen exactly in the middle of the rear sight slit, and have the same height.



The top line of the sights should be level with the bottom of the aim.

Fig.7

ADJUSTMENT OF THE TRIGGER

OPTION	SCREW NUMBER	INSTRUCTION
SECOND STAGE WEIGHT	1	turn clockwise to increase the weight / turn counterclockwise to reduce the weight
SECOND STAGE LENGTH	2	($\pm 3^\circ$) turn clockwise to reduce the length / turn counterclockwise to increase the length
TRIGGER POSITION	3	turn counterclockwise – move the trigger, turn clockwise and fix
FIRST STAGE WEIGHT	4	turn clockwise to increase the weight / turn counterclockwise to reduce the weight
TRIGGER STOP	5	turn clockwise to reduce the "creep" / turn counterclockwise to increase the "creep"
FIRST STAGE LENGTH	6	turn clockwise to reduce the length / turn counterclockwise to increase the length

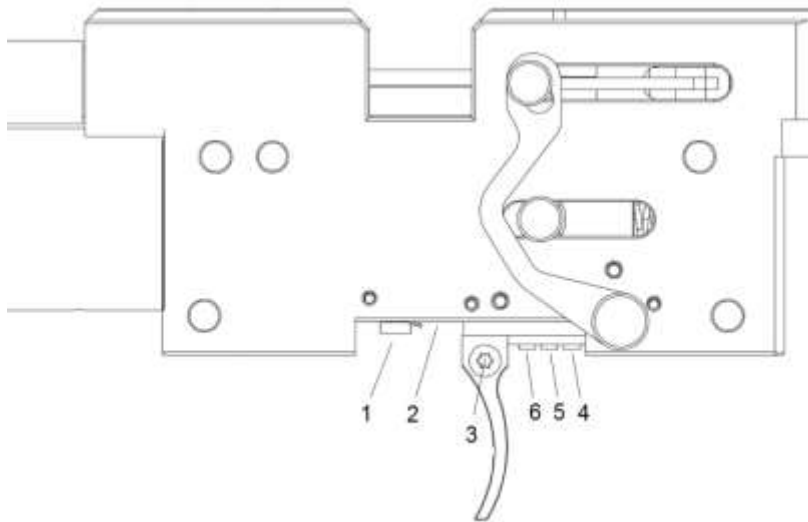


Fig.8

THE BARREL ADJUSTMENT

FAS AR611 offers the opportunity to rotate with the barrel to get correct point of the impact on target.

- Loosen the two socket head screws situated in the front part of the receiver (Fig.9)
- Rotating the barrel to the sides is possible change a direction of the hits.
- Tighten the two screws before you shoot.

DON'T PULL OUT THE BARREL FROM THE RECEIVER!

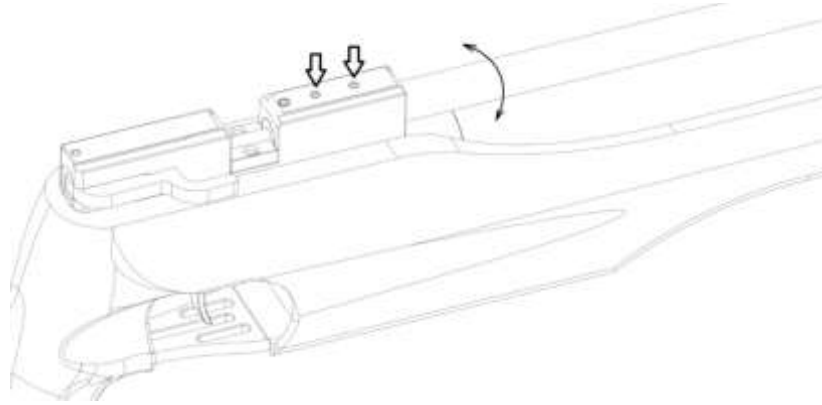


Fig.9

THE STOCK ADJUSTMENT

The Comb adjustment

- Loosen the two socket head screws situated on the right side of the stock (Fig.10)
- Adjust the comb to the comb height you need and

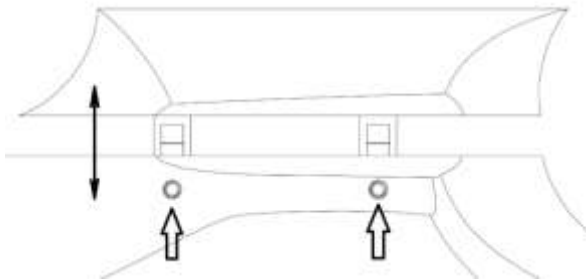


Fig.10

re-tighten the two screws

The butt stock adjustment

- Loosen the socket head screws situated on the back of the butt stock (Fig.11)
- Adjust the butt stock height you need and re-tighten the screw.

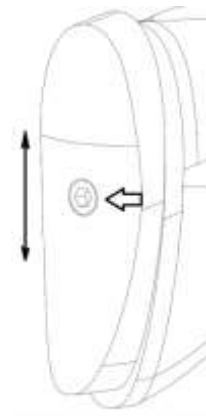


Fig.11

CLEANING AND MAINTENANCE

Cleaning the rifle is recommended

- After getting wet
- In the mild weather conditions at least once a year
- In the severe weather conditions at least once per month, depending on frequency of use

Cleaning the bore and pellet chamber

For ultimate accuracy clean and re-lube the barrel frequently.

Correct materials for this purpose are very important; therefore use only products recommended by air rifle specialists in relevant countries. Cleaners and oils intended for guns may not be suitable for air guns. Air guns require special equipment. For cleaning we recommend the following procedure:

- Cut a piece of the nylon (or nylon coated) fishing line (10 kg) 3-times the length of your barrel, fold in half and tie ends together.
- Open loading lever.
- Feed un-knotted end down barrel from the muzzle end until short piece of folded end protrudes.
- Pass a piece of the soft cotton cloth between the protruding loop, spray it with "Gun Cleaner" or white spirit, turn the rifle upside down and pull the line through the barrel slowly.
- Repeat the previous two steps until the cloth is clean.
- Repeat the previous two steps once more without any cleaner to dry the barrel.
- Repeat the previous two steps once more with the cloth sprayed with "Gun Oil".

Barrel: for constant precision clean the barrel with a felt type VFG, or VFG. Superintensive (abrasive) for a more aggressive cleaning.



Fig.12

Every 100 shots you should fire 4-5 felt pads. Do not use any type of brush.

Cleaning other parts of the rifle

Maintenance of other parts of the rifle can be carried out with a dry soft cloth, on the stock may be applied a suitable product – oil preservative (walnut wood stock is oiled).

With a soft cloth and a Teflon - based lubricant oil (PTFE) or silicone, clean the surface and the sights.

Lubrication

Lubrication of the internal mechanism should not be required until the annual service

NEVER USE DETERGENT OILS OR LUBRICANTS FOR FIREARMS!

Specific products for air guns:

"Napier Power Airgun Oil" for outer surfaces.

"Napier 3034-A Airgun grease" for the piston and polymer materials.

Disassembly for cleaning

ALWAYS KEEP THE RIFLE MUZZLE POINTED IN A SAFE DIRECTION!

The FAS AR611 air rifles are based on a modular concept, consisting from sub-assemblies shown at Fig.13.

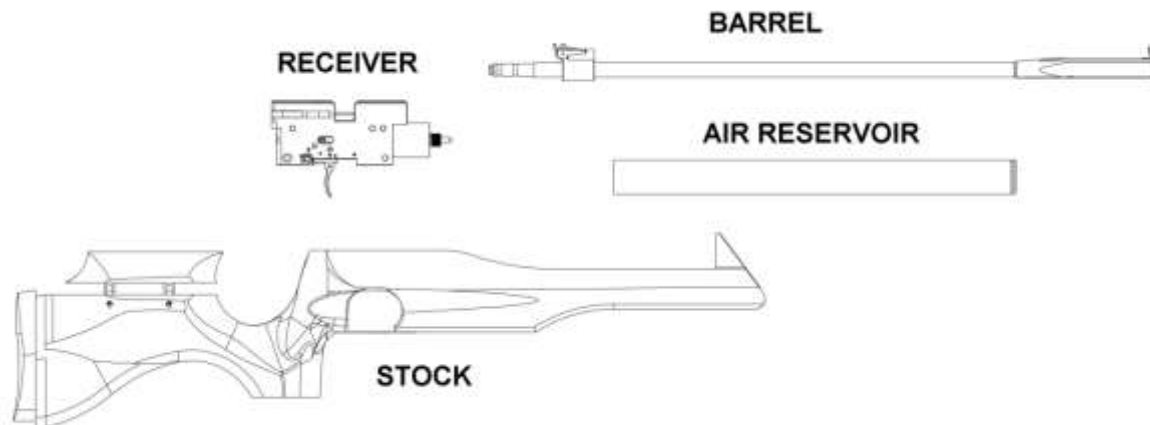


Fig.13

To dismantle the rifle in the mentioned subassemblies follow this procedure:

The Barrel-action disassembly

- Unscrew by hand the compressed-air AIR CYLINDER.
- Using Allen key, loosen the two bottom screws (Fig.14).
- Open loading lever toward the rear of the gun.
- After that you can strip the barrel-action from

the stock.

The Barrel disassembly

- loosen the two socket head screws situated in the front part of the receiver (Fig.15).
- remove carefully out the barrel

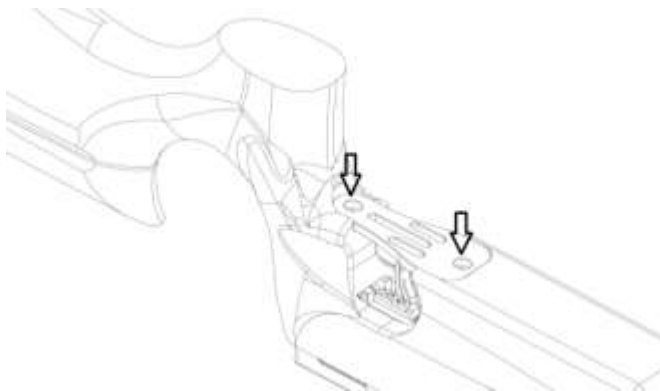


Fig.14

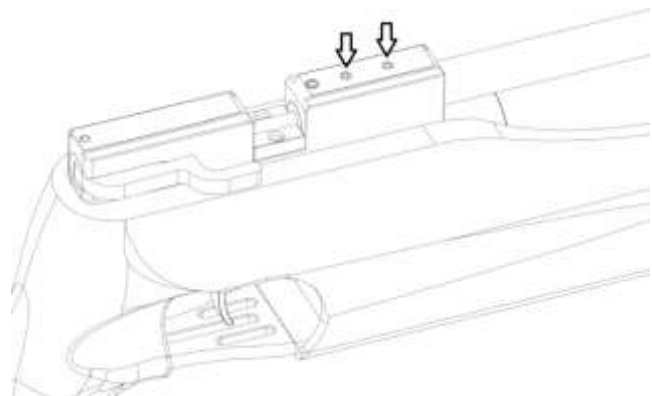


Fig.15

Assembling the rifle

Same steps as for disassembly but with opposite sequence.

DURING THE ASSEMBLY MAKE SURE THAT ALL PARTS ARE TIGHTENED AND SCREWED PROPERLY (AS IT WAS BEFORE DISASSEMBLY).

WARRANTY CONDITIONS

The manufacturer guarantees that our products are scrupulously checked for defects in materials, workmanship and aesthetic and functional problems.

In case you find a defect in one of our products, you should immediately contact the DEALER/SHOP/GUNSMITH where you purchased your gun. The seller will indicate the conditions for the repair, which will be either made directly by them or through our assistance.

ATTENTION: end users are not allowed to ship any gun directly to the manufacturer for repair, either under guarantee or against payment. Transportation of weapons is strictly regulated and the documents which are required can solely be issued by companies with specific authorization.

The manufacturer guarantees, for a year after the date of purchase, the free substitution of parts for defects which have been found out during use: wear of parts not subject to wear, or excessive wear of parts subject to wear. The customer will have to give evidence of the purchase date with a bill or other valid proof.

In case the defect under cover of guarantee is not repairable, the manufacturer will provide for a free substitution of the weapon.

THE MANUFACTURER RESERVES THE RIGHT TO DEFINE THE TYPE OF DEFECT OF THE AIR GUN, AND THEREFORE TO STATE WHETHER THE DEFECT IS COVERED BY GUARANTEE

The manufacturer's decision will be fair but final.

The manufacturer will be allowed 60 days for repair under guarantee, and 90 days for free substitution.

Should the manufacturer become aware of a defect of a product during the guarantee period, the defective part will be replaced free of charge.

The guarantee does not cover parts subject to wear and corrosion

ATTENTION: delivery expenses to and from the service center are not covered by the guarantee and will be charged to the customer.

This gun has been manufactured according to the regulations of Italian laws and the Italian Proof House. If exported outside Italy, the importer/distributor will be responsible to ensure that the gun complies with the local legal requirements.

THE GUARANTEE IS VOID IN CASE:

- Inadequate ammunition has been used (any ammunition but those commonly on sale, reloaded ammunition, different from caliber and specification indicated on the air gun barrel).
- The air gun was not properly cleaned and maintained.
- The air gun has been modified without our prior consent.
- Unauthorized, inadequate or incorrect repairs have been carried out.
- Non-original spare parts were used.
- Parts subject to wear and corrosion.
- Damage (improper use of the gun by the user).
- Expired guarantee.

In the above cases the repair, if carried out, will be charged to the customer

In case, for any valid reason, you do not have the possibility to obtain repair under guarantee at the shop where you bought the air gun, you may contact us directly; we will indicate a local dealer to support you with the repair file:

USA - Phone: +1-937-835-5000

e-mail: info@chiappafirearms.com

CANADA (Murray Charlton) – Phone +1-778.426.3884

e-mail: murray.mdcent@gmail.com

REST OF THE WORLD - Phone: +39/030/9749065

e-mail: info@chiappafirearms.com

**This instruction manual must always follow the air gun in
case of change of ownership**

Procedure for the use of warranty

REGISTER your air gun in the proper section of our website:

<http://www.chiappafirearms.com/registration>

CONTACT the gun shop where the product was bought, or the Chiappa Firearms facility for USA, Canada or Rest of the World as indicated above. You will receive an NDR number and the instructions to return the gun.

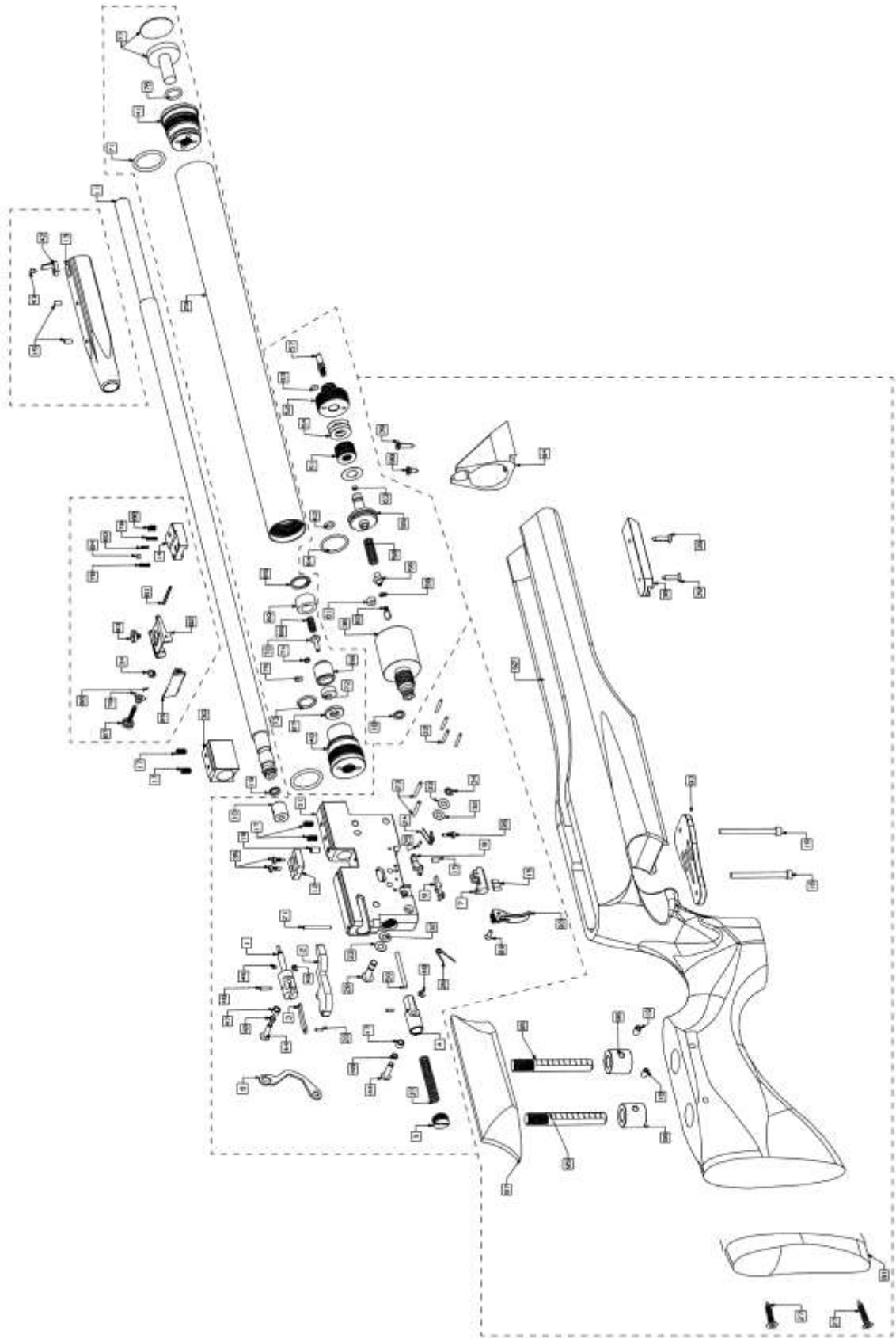
SHIP the weapon to the gun shop (or to the service center) in its original packing, according to the instructions you have received. Don't forget to include the NDR number, a description of the defect and a copy of the proof of the purchase indicating the purchase date.

ATTENTION: the returned air gun must be protected with adequate packaging; any damages occurred during transportation and handling will be the customer's responsibility

PARTS LIST

NR	CODE	PART NAME		QTY	NR	CODE	PART NAME		QTY
1	731.142	OTTURATORE FAS 611	Bolt FAS 611	1	50	130.115	RULLINO 3X35.8	Ruller 3x35.8	1
2	770.662	LEVA ARMAMENTO FAS 611	Cocking lever FAS 611	1	51	180.021	MOLLE A TAZZA 16X8X1.2	Disk springs 16x8x1.2	12
3	770.661	BIELLA FAS 611	Connecting rod FAS 611	1	52	731.150	ATTACCO BOMBOLA FAS 611	Air cylinder connection	1
4	731.144	MASSA BATTENTE FAS 611	Hammer FAS 611	1	53	160.049	OR2010 2.57X1.78	Oring 2.57x1.78	1
5	731.143	TAPPO MASSA BATTENTE FAS 611	Hammer cup FAS 611	1	54	731.161	DISTANZIALE REGOLATORE	Distentional regulator	4
6	770.668	LEVA LATERALE FAS 611	Side lever FAS 611	1	55	731.153	PISTONE REGOLATORE 7.5J	Reulation piston 7.5J	1
7	770.665	PORTA GRILLETTO FAS 611	Trigger holder FAS 611	1	56	731.147	VALVOLA REGOLATORE FAS 611	Regulation valve FAS 611	1
8	770.667	LEVA SCATTO 2	Trigger lever 2	1	57	731.151	PERNO ATTACCO BOMBOLA	Air cylinder plug connection pivot	1
9	770.666	LEVA SCATTO 1	Trigger lever 1	1	58	720.150	MOLLA VALVOLA REGOLATORE 7.5J	Reglator valve spring 7,5J	1
10	731.139	RACCORDO CANNA FAS 611 7.5J	Barrel fitting pipe	1	58A	720.134	MOLLA VALVOLA REGOLATORE 16J	Reglator valve spring 16J	1
10A	731.216	RACCORDO CANNA FAS 611 16J	Barrel fitting pipe	1	58B	720.179	MOLLA VALVOLA REGOLATORE 40J	Reglator valve spring 40J	1
10B	731.217	RACCORDO CANNA FAS 611 40J	Barrel fitting pipe	1	59	731.185	RONDELLA REGOLATORE FAS 611	Regulator washer FAS 611	1
11	710.401	CANNA FAS 611 CAL 4.5 600MM	Barrel FAS 611 CAL 4.5 600MM	1	60	731.146	PERNO VALVOLA REGOLATORE	Regulator valve pivot	1
12	770.660	SLITTA PALLINO FAS 611	Pellet slide FAS 611	1	61	160.050	BUSSOLA 2.6X6.2X4	Guide 2.6x6.2x4	1
13	731.138	BASE MIRINA FAS 611	Front sight base FAS 611	1	62	160.042	OR 2021 FAS 611	Oring 2021 FS 611	1
14	770.659	BASE TACCA DI MIRA	Rear sight base FAS 611	1	63	731.152	GOMMINO REGOLATORE FAS 611	Rubber ragulator FAS 611	1
15	104.024	GRANO M3X6	Grub screw M3x6	6	64	160.041	OR2081 FAS 611	Oring 2081 FAS 611	1
16	100.023	VITI M4X40 BRUGOLA	Screw M4x40 Socket head	2	65	160.046	SEGER MM.16 DIN 472	Seger MM.16 DIN 472	1
17	104.001	GRANO M4X8 PUNTA	Grub screw M4x8	4	66	720.151	MOLLA VALVOLA BOMBOLA	Air reservoir valve spring	1
18	160.033	600219-OR 106 - 6.75X1.78	Oring 6.75x1.78	2	67	731.160	RANELLA BOMBOLA	Air reservoir washer	1
19	104.030	Grano M5X8	Grub M5x8	3	68	731.155	GUIDA PISTONCINO BOMBOLA	Rod guide air-cylinder	1
20	130.033	SPINA 2,5x6	Pin 2,5x6	1	69	731.158	TAPPO BOMBOLA	Air receiver plug	1
21	130.059	RULLINO D.3X24	Roller D 3x24	1	70	731.157	PISTONCINO VALVOLA FAS 611	Valve piston guide FAS 611	1
22	130.096	SPINA 2X16	Pin 2x16	4	71	160.043	OR130 22.22X2.62	Oring	2
23	130.110	RULLINO 2.5X18	Roller 2.5x18	2	72	160.047	OR PARKER B3 0412 P5008	Oring PARKER B3 0412 P5008	1
24	721.197	MOLLA 2T FAS 611	Spring 2T FAS 611	1	73	160.020	OR 1.78x12,42	Oring 1,78x12,42	1
25	130.038	SPINA 2X8	Pin 2x8	2	74	731.156	DISTANZIALE OTTONE	Brass washer	1
26	721.196	MOLLA 1 T FAS 611	Spring 1T FAS 611	1	75	160.045	OR2012 - 2.9X1.78 P	Oring 2012 -2.9x1.78 P	1
27	120.016	VITE AUTOF. TPS CROCE 5X25 NERA	Screw 5x25 black	2	76	160.048	OR PARKER MANOMETRO	Oring Parker Manometer	1
28	731.145	PERNO LEVA ARMAMENTO FAS 611	Cocking lever pivot	1	77	180.022	MANOMETRO FAS	Manometer FAS 611	1
29	731.137	BOMBOLA D32X400	Compressed air cylinder D32x400	1	78	720.101	MOLLA 2.5X9X0.4	Spring 2.5x9x0.4	2
30	770.669	SUPPORTO OTTICA FAS 611	Rear sight support FAS 611	1	79	721.185	MOLLA CLICK TACCA DI MIRA	Rear sight CLICK spring	1
31	770.663B	CASSA FAS 611 7.5J	Receiver FAS 611 7,5J	1	80	720.003	MOLLA	Spring	1
31A	770.698B	CASSA FAS 611 16J	Receiver FAS 611 16J	1	81	130.105	SPINA 2X24	Pin 2x24	1
31B	770.699B	CASSA FAS 611 40J	Receiver FAS 611 40J	1	82	760.170	TACCA DI MIRA	Rear sight	1
32	760.194	RANELLA 10X5X0.2	Washer 10x5x0.2	2	83	731.186	VITE ALZO	Adjusting screw	1
33	180.020	MOLLA A TAZZA 10X5X0.5	Spring 10x5x0.5	2	84	731.187	PERNO CLICK	CLICK spring pin	1
34	140.017	SEGER 4 UNI 7434-3.2	Seger 4 UNI 7434-3.2	2	85	760.171	FOGLIA DI MIRA	Rear sight leaf	1
35	103.032	VITE TC M3X8 TAGLIO	Screws TC M3x8	3	86	130.021	SFERA D2	Ball D2	1
36	731.149	CORPO REGOLATORE 7.5J	Regulator FAS 611 7,5J	1	87	731.046	VITE REGOLAZIONE TACCA	Adjusting screw	1
36A	731.215	CORPO REGOLATORE 16J	Regulator FAS 611 16J	1	88	104.000	GRANO M4X6 BRUGOLA	Grub screw M4x6	1
36B	731.208	CORPO REGOLATORE 40J	Regulator FAS 611 440J	1	89	101.004	VITE M2.5X8	Screw M2.5x8	1
37	720.149	Molla Massa BATTENTE 7.5J 4.5	Hammer spring 7,5J Cal. 4,5	1	90	770.664	GRILLETTO FAS 611	Trigger FAS 611	1
37A	720.134	Molla Massa BATTENTE 16J 4.5	Hammer spring 16J Cal. 4,5	1	91	270.079	CALCIOLO FAS 611	Rubber stock butt FAS 611	1
37B	720.178	Molla Massa BATTENTE 40J 5.5	Hammer spring 40J Cal. 5,5	1	92	780.194	CALCIO FAS 611	Stock FAS 611	1
38	770.656	SLITTA CALCIATURA FAS 611	Forend rail FAS 611	1	93	770.691	SOTTOGUARDIA FAS 611	Trigger guard FAS 611	1
39	120.023	VITI AUTOF 3.5X9	Screws 3.5x9	3	94	770.657	ANELLO ASTA FAS 611	Barrel+air cylinder band FAS 611	1
40	731.154	BLOCCO VALVOLA FAS 611	Valve block FAS 611	1	95	731.203	PERNO GUANCIALINO FAS611	Comb pivots FAS 611	2
41	731.159	PORTA MANOMETRO FAS 611	Manometer port FAS 611	1	96	731.204	BUSSOLA GUANCIALINO FAS611	Pivot guides FAS 611	2
42	770.658	MIRINO FAS 611	Front sight FAS 611	1	97	780.203	GUANCIALINO FAS 611	Stock comb FAS 611	1
43	103.031	VITE TC M2X5 TAGLIO	Screw TC M2x5	1	98	120.019	VITE TPS 3.5X6.5	Screw TPS 3.5x6.5	1
44	731.141	PERNO OTTURATORE E MASSA	Pivot	2					
45	160.040	OR 2.5X1	Oring 2.5x1	1					
46	130.079	RULLINO 2.5X9.8	Roller 2.5x9.8	1					
47	731.182	RONDELLA 6X4.5 FAS 611	Washer 6x4.5 FAS 611	2					
48	731.181	RONDELLA 5X2.2 FAS 611	Washer 5x2.2 FAS 611	2					
49	140.001	SEGER UNI7434	Seger UNI7434	2					

EXPLODED VIEW





Via Milano 2
25020 Azzano Mella (BS) - Italy

Chiappa Firearms USA, LTD
1415 Stanley Avenue
Dayton, OH 45404

www.chiappafirearms.com
email: info@chiappafirearms.com