
CHIAPPA firearms

USER'S MANUAL 1887 Lever Action



Official Sponsor



ATTENTION: BEFORE REMOVING THE FIREARM FROM ITS PACKAGE READ & UNDERSTAND WARNINGS AND FULL INSTRUCTIONS AND PRECAUTIONS IN THIS OWNER'S MANUAL

A historical note on the 1887 model

The 1887 Winchester is the only example of a lever action smoothbore shotgun, which has been a precious prize for collectors.

The Winchester factory produced about 65.000 pieces between 1887 and 1901.

There is an interesting story about this shotgun. At the beginning of the 1880's the Winchester Repeating Arms Company asked Mr John Moses Browning to design a shotgun for them, which could shoot 12 gauge cartridges but which would look like a typical Winchester rifle. Browning took the job and the result was outstanding: the unique look of the 1887 Lever Action shotgun.

After J.M. Browning sold the patent for this shotgun to Winchester, he decided to go on a two-year mission across the US as a member of the Mormon Church. About two months after the beginning of his mission, he and his fellow traveller arrived into a village in Georgia and saw the brand new 1887 shotgun shown in a shop window. They went in and John asked the gunsmith if he could take a look at the shotgun. Once he had the shotgun in his hands, he handled it with such dexterity that the gunsmith was surprised, and asked Mr. Browning how a man like him could know Winchester's new shotgun so well, considering that no one had ever seen one before.

Browning's friend promptly replied that the man in front of the gunsmith was the designer of the shotgun. The gunsmith hastily took the shotgun off John's hands and chased away the two. He evidently did not trust the two strange Mormon evangelists.

Nevertheless, speed and loading ease, coupled with the large capacity of the loading tube were the points of strength of this weapon in those years.

It was used by the agents of the famous Pinkerton Detective Agency to defend stagecoaches and, a few years later, by Bonnie & Clyde- for far different purposes – in a short barrel version.

Along the years this shotgun has lost nothing of its charm and it is still used in famous films such as Terminator 2 and Ghost Rider.

The new Chiappa Model 1887 reflects a piece of American History that is within everybody's reach.

INDEX

1887 Lever Action	1
WARNINGS.....	4
SAFETY RULES.....	4
1887 Lever Action Shotgun Range	6
Essential Parts Nomenclature.....	8
Instructions for use	9
Precaution	9
How the shotgun is working	9
Loading of the shotgun	10
Standard loading system	10
Loading with Fast Load System.....	12
Standard Unloading.....	13
Extraction.....	14
Chokes : what they are and how they are used	14
Ordinary cleaning.....	15
Ordinary and extraordinary maintenance	16
PARTS LIST	18
GUARANTEE CONDITIONS	21
Procedure for the usage of the guarantee	22

WARNINGS

Armi Sport/ Chiappa Firearms is not responsible for damage to objects caused by misuse of the gun or for injuries to persons or animals, or in case of death, caused voluntarily or involuntarily by the gun user.

Armi Sport/ Chiappa Firearms is not responsible for injuries caused by poor maintenance, misuse of the gun, unauthorized or improper modifications.

Armi Sport/ Chiappa Firearms declines responsibility for the indirect consequences of any injuries and / or death of persons or animals, damage to objects caused by use of the gun or by primer explosion, by bullet’s ricochet, or unsafe loading practices and / or procedure.

The gun you own is an accurate 19th century replica. Consequently its safety devices are limited to the technological knowledge of the period. Therefore the risks in using a gun like this are higher compared to a modern design gun. The complete and full knowledge of your firearm may help you to avoid serious injuries due to lack of safety devices. Read the entire manual and learn the proper use of the gun without live ammunition. It is important that you understand the proper use of this product. The life of the people close to you may depend on your safety. If the manual is not clear, please contact the dealer where you bought the gun or call the distributor or the manufacturer by using the contact information provided within this manual.

All our guns are tested in the Armi Sport/ Chiappa Firearms facility. To guarantee the gun is safe, it is sent to the National Proof House of Gardone Val Trompia – BRESCIA – ITALY - for proof testing.

The Proof House tests the firearm with heavy loads then checks the barrel, chamber and headspace to make certain the firearm is safe for use with standard factory ammunition.

The National Proof House will put their markings on the gun, according to the Italian law, certifying the gun is qualified and can be sold.

THE COURT OF BRESCIA - ITALY, WILL SETTLE ALL DISPUTES.

Warning!

Discharging firearms in poorly ventilated areas, cleaning firearms, or handling ammunition may result in exposure to lead or other substances known to the State of California to cause birth defects, reproductive harm, and other serious physical injury. Have adequate ventilation at all times. Wash hands thoroughly after exposure.

SAFETY RULES

1. Read the instructions carefully before use. Reading the manual and careful examination of the gun are fundamental to avoid any kind of problem.
2. Be aware that you are handling a firearm; therefore your knowledge and behaviour may affect your life and those of the people close to you.
3. Guns and ammunitions must be kept in separate places.
4. ALWAYS keep guns and ammunitions out of reach of children.
5. Store the gun in a clean, dry and airy place after use to avoid rust in mechanical parts that may cause serious problems in functioning after a period of inactivity.
6. The gun must ALWAYS be stored unloaded, ALWAYS check that the chamber is empty.
7. Keep away from open flame or heating sources.
8. Never leave a loaded gun unattended.
9. Never leave the firearm loaded and with a closed breech block, it could fall and cause injury and death. Always point the gun in a safe direction, and handle it as though it were loaded. This is especially important when loading and unloading the gun, and when handing it to someone else. Never take someone's word that it is unloaded. Always make sure the gun is unloaded before laying it down or handing it to someone else.
10. After use, clean and lubricate the inside of the barrel with appropriate oil. Grease or oil build up can cause excessive pressure and result in serious personal injuries. Before using the gun again, inspect the barrel and chamber to make certain that there are no obstructions in the bore. Remove any oil residue with rod and dry patch before shooting.
11. Accumulation of rust in the barrel can cause excessive pressures resulting in serious injury and may cause the explosion of the barrel. A rusted, pitted or eroded barrel should be replaced.
12. Before shooting ALWAYS check to ensure that the barrel is free of obstructions.
13. Never force a jammed action, this act could cause explosion of the round and consequent injury.
14. Use exclusively factory loaded ammunition of the caliber specified on the firearm barrel. Use of different calibers may cause serious personal injuries to you and to people close to you.
15. In case of misfire, manually extract the cartridge from the chamber. If firearm fails to fire when trigger is pulled, as a result of slow primer ignition (hangfire), keep muzzle pointed downrange for a minimum of 30 seconds. If the round does not fire, remove the magazine, clear the firearm and examine the ejected, unfired cartridge. If the indent from the firing pin is off center, light or absent, take the gun to a competent gunsmith. If the indent appears normal compared to other rounds, assume a faulty round, separate from other cartridges, reload and continue shooting.
16. Do not attempt to re-use unexploded ammunitions.
17. NEVER modify any parts of your gun. Any alteration may cause serious personal injury and voids the warranty.
18. Only a qualified gunsmith may service the gun for repair or serious maintenance.
19. Pay great attention during transportation and use. Mechanical safety devices can fail. Developing intelligent, good safety habits is the best way to prevent accidents.
20. Never rest your finger on the trigger until the very moment you wish to shoot. Always keep the safety on until you are ready to safely shoot at an intended target (see safety features).
Note: Safety devices on guns are extras and are not a substitute for your proper and safe handling practices.
21. ALWAYS keep the gun unloaded when transporting it from home to the shooting areas. Carefully check that cartridge chamber is empty.
22. When you walk around with the gun in a shooting area, ALWAYS keep the muzzle pointed in a safe direction.
23. NEVER run with a loaded gun, don't cross any obstacle (fences or water courses, etc.) or walk where there is any possibility of slipping or falling without having your firearm unloaded and in safety position.
24. When selecting a place to shoot, always be absolutely sure of your target and the area behind it before you touch the trigger, making sure there is an adequate backstop which will stop and contain bullets. A bullet can travel through or past your target with a range up to 1 1/2 miles. If you have any doubt, do not shoot.

25. Never shoot against a solid surface or in a pool of water, the projectiles could ricochet and shoot toward any direction. Don't shoot up into the sky.
26. Keep all bystanders behind you, standing beside a shooter is not a safe position. Make sure all other shooters and bystanders are well away from the ejection port.
27. Do not smoke while handling, loading or shooting any ammunition, especially black powder. Keep black powder in a closed container at all times, reclosing the container after each and every use.
28. Never drink alcoholic beverages or take any drugs before or during shooting, as this not only constitutes criminal disregard for your safety and that of others, but will seriously impair your judgment and vision. Never use a gun while you are taking medication unless you have checked with your doctor to ensure your fitness to handle the gun safely.
29. Always wear and encourage others near you to wear proper ear protection when shooting, especially on a range since the noise from your gun, and other guns close to you, could result in permanent hearing loss.
30. Always wear protective shooting glasses to protect your eyes from injury by gun powder, gas, lubricant, dirt or metallic particles, carbon residue, sparks or other debris.
31. Wash hands thoroughly after shooting and handling firearms to remove any unwanted residues.
32. NEVER leave the loaded firearm or the loaded magazine in the sun
33. Being this firearm is a replica of original design, there is no modern safety. REMEMBER: No mechanical safety device is infallible.

The user is responsible for injuries or damages caused to him or to other persons.

COMPLETE KNOWLEDGE OF YOUR FIREARM CAN MAKE THE DIFFERENCE.

IDENTIFYING MARKINGS

Every gun we produce has a serial number that is marked on the receiver. Close to the serial number you will also find the manufacturers information with the model name and caliber marked either on the frame or the slide as required by law.

These markings must not be removed from the firearm for any reason.

1887 Lever Action Shotgun Range

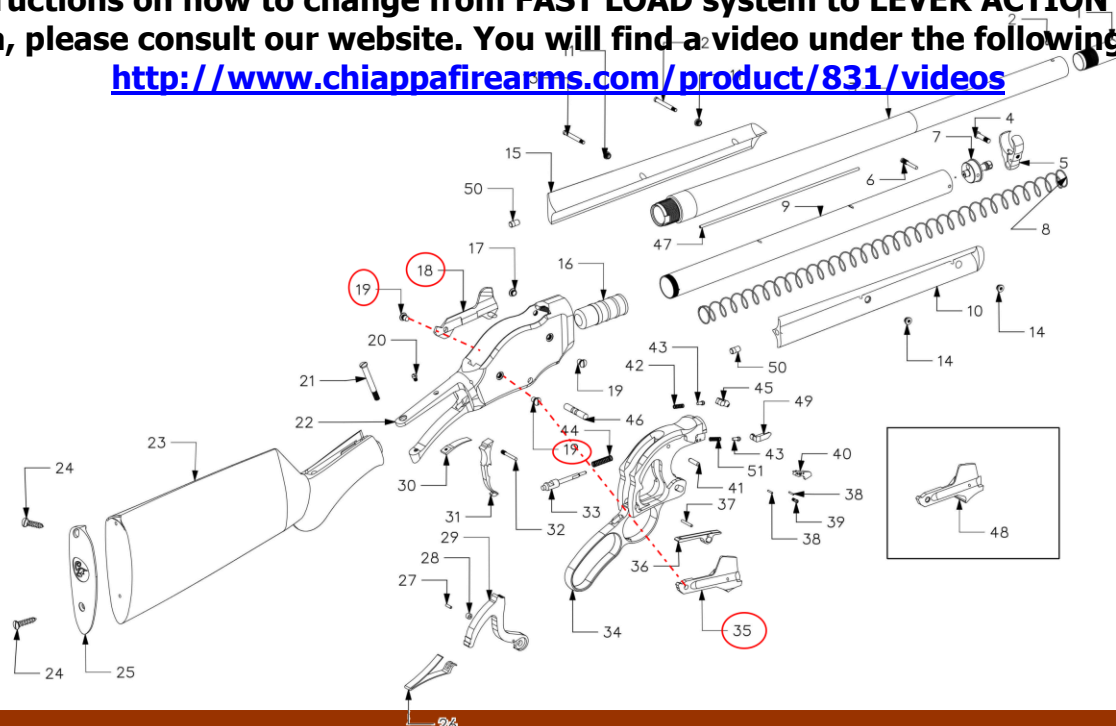
MODEL	CODE	CAL	Barrel length		Total length		Finish	Weight		No. shots
			IN	CM	IN	CM		KG	LBS	
1887 Lever Action	930.000	12	22"	56	39"	99	Colour case	4,06	9	5 + 1
1887 Lever Action	930.002	12	22"	56	39"	99	Chrome	4,06	9	5 + 1
1887 Lever Action	930.012	12	24"	61	41"	104	Colour case	4,12	9,1	5 + 1
1887 Lever Action	930.001	12	28"	71	45"	115	Colour case	4,20	9,3	5 + 1
1887 Lever Action	930.003	12	28"	71	45"	115	Chrome	4,20	9,3	5 + 1
1887 Lever Action FAST LOAD	930.004	12	22"	56	39"	99	Colour case	4,06	9	2
1888 Lever Action FAST LOAD	930.005	12	22"	56	39"	99	Chrome	4,06	9	2
1887 Lever Action FAST LOAD	930.006	12	24"	61	41"	104	Colour case	4,12	9,1	2
1887 Lever Action "Cowboy Hunter"	930.013	12	22"	56	39"	99	Colour case	4,06	9	5 + 1/ 2
1887 "T-Series"	930.015	12	18,5"	46	27 1/2"	70	Black	3,6	7,9	5 + 1
1887 BOOTLEG .12-18,5"short stk	930.016	12	18,5"	46	27 1/2"	70	Blued	3,6	7,9	5 + 1
1887 L.A. .12 ga 18.5" Mare's Leg	930.019	12	18,5"	46	37"	94	Colour case	3,5	7,8	5 + 1
1887 L.A. .12 ga 22" Trophy Hunter RIFLED SHOTGUN, Skinner sight	930.020	12	22"	56	39"	99	Matt Blue	4,06	9	5 + 1

- **ATTENTION:** based on each country’s regulation, it is possible on request to limit the number of shots.
- **CHOKES:** In the classic version, the 1887 Lever Action rifle is supplied with 3 chokes and relevant key (see specific chapter), with a screw for the front barrel band to be screwed to the plug of the loading tube and with a screw for the back barrel band to be screwed to the stock.
- The Lever Action **FAST LOAD** version of the 1887 rifle is supplied with one choke already assembled, and the relevant key.
- The shotgun, as you will find it in the packaging, does not need assembling and is ready for use.
- Before taking the shotgun out of its packaging, and before loading it and shooting, it is important to read this manual fully and carefully.
- Armi Sport / Chiappa Firearms will not be responsible for damage caused by malfunctioning of the product, of for any physical damage, death or property damage caused by intentional or unintentional shooting. Armi Sport / Chiappa Firearms will not be accountable for criminal use or negligent use of the rifle, for irresponsible handling and for not considering the safety rules which must be respected with a loaded weapon. Armi Sport / Chiappa Firearms will not be accountable in case the shotgun has been modified or altered without our written consent, or in case that defective or improper cartridges are used, nor in any other case, where the shotgun is employed for any other use than that originally conceived.
- *On request we may add high quality and precious hand engravings in each firearm.*

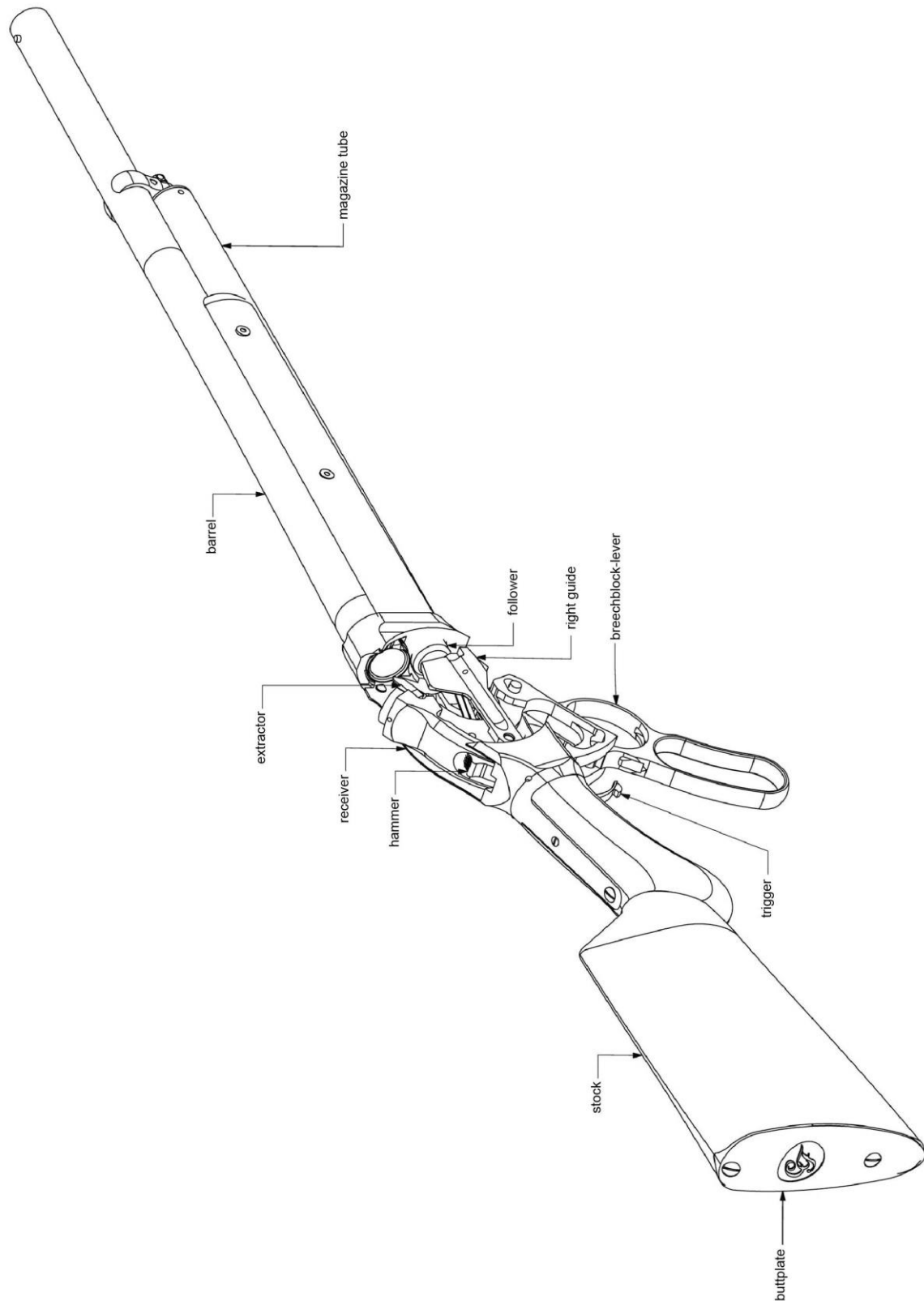
Each firearm is duly submitted to strong testing, to grant the highest security of the product, by the Italian Proof House in Gardone Valtrompia.

For instructions on how to change from FAST LOAD system to LEVER ACTION and vice versa, please consult our website. You will find a video under the following link:

<http://www.chiappafirearms.com/product/831/videos>



Essential Parts Nomenclature



Instructions for use

Precaution

- Before handling the firearm, be sure it's unloaded and pointed in a safe direction.
- Before shooting, ALWAYS check to ensure that the barrel is free of obstructions.
- Remove any oil or grease residue with rod and dry patches changing them till they come out perfectly clean and dry.
- Use hearing protection to prevent hearing loss from repeated exposure to gunfire.
- Always use glasses to protect your eyes from possible chips, gas escapes, , oil, sparks and other fragments.
- In case of misfire, keep the gun on the shooting line for a few minutes; it could be a delayed shot.
- NEVER dry fire the gun, you may damage the shooting mechanism.
- During loading, pay the utmost attention at what you're doing - pouring a double charge or twice a projectile could cause the explosion of the barrel, and severe injuries to you and the people close to you.
- Remember that safety is your responsibility. Always behave conscientiously and with common sense.

How the shotgun is working

- The 1887 model is a classic lever action shotgun with loading tube positioned under the barrel.
- The shotgun bears a maximum of 5 shots in the loading tube.
- All the mechanisms for cartridge loading and ejection of the loaded cartridge are operated by the breech block lever and the inner lever mechanism of the receiver.
- The movement of the hammer allows the cartridge to exit from the loading tube and to be positioned on the two inner guides of the receiver, when the breech block is still closed.
- The breech block will then, when opening, let the inner guides lift, lifting at the same time the cartridge which is leaning on them.
- The guides bring the cartridge in alignment with the barrel, and remain in the same position until the breech block, when closing, brings them to start position.
- The breech block, when closing, pushes the cartridge into the barrel and automatically cocks the hammer in shooting position.
- Once the breech block is closed the shotgun is loaded, cocked and ready for use.

Loading of the shotgun

Ammunition

Our company will not be responsible for physical damage to people, or damage to property, caused by use of defective, improper, refilled, re-loaded or self-made cartridges.

Employing inadequate cartridges may cause serious damage.

Never use cartridges which do not correspond to the indication mentioned on the barrel.

Always employ cartridges whose length is equal or inferior to that indicated on the barrel.

Always make sure that the cartridge you are employing is the correct calibre and type suited for your weapon.

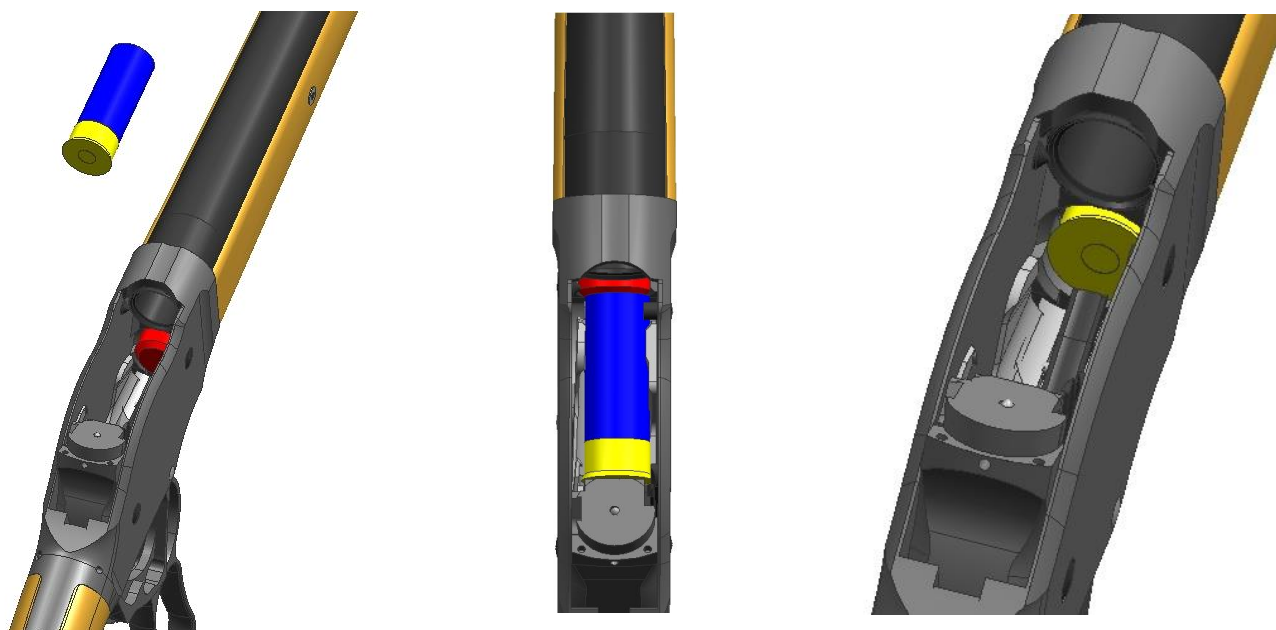
The guarantee is not valid for ANY reloaded ammunition.

Standard loading system

- Before you start loading, check to ensure that the barrel is free of obstructions .
- Remove any oil or grease residues inside the barrel with rod and patch.
- Point the gun in a safe direction.
- Open the breech block and turn it until you see the two inner guides moving.



- At this point you may see, inside the receiver, the entrance of the loading tube and the follower.
- Take the first cartridge and lean it inside the receiver.

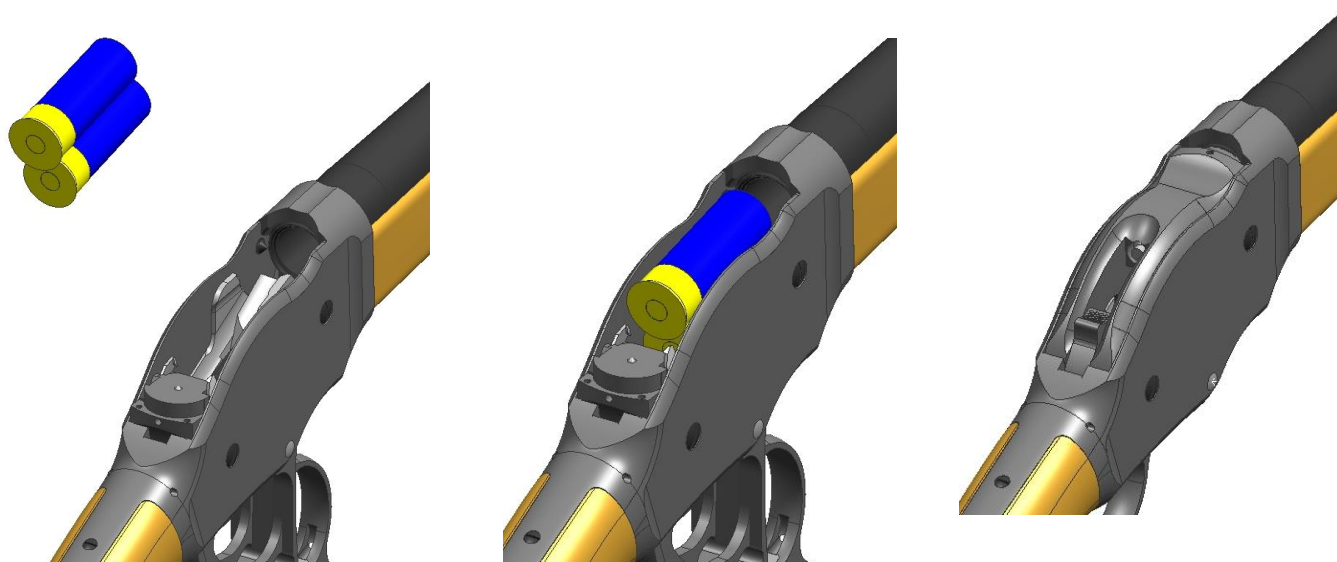


- Push down the two guides pressing the cartridge, and insert the cartridge inside the loading tube, letting the cursor slide back.
- Once the cartridge is completely inside, gently accompany its way back with your finger (the cursor will tend to push it back), until it will lean on the two guides and on the pivot, which will be both slightly lifted. If you take off your finger now, the cartridge will remain inside the loading tube.
- The cartridge should be loaded with ease.
- DO NOT STRAIN THE CARTRIDGE LOADING
- DO NOT LOAD CARTRIDGES OF A DIFFERENT CALIBER THAN THAT INDICATED ON THE BARREL
- If a cartridge is not easily loaded, take it out and check that the loading tube is not obstructed or damaged.
- Do not employ cartridges with a protruding primer, it could burst.
- Now you may load the other 4 shots in the loading tube in the same way (unless the number of shots has been reduced according to country regulation).
- Now that the 5 shots are inside the loading tube, close the breech block.
- The hammer will be cocked, but the cartridge is not yet loaded in the barrel.
- In order to put the shotgun in safety, lower the hammer onto the empty cartridge chamber, so that the cartridge will be positioned on the two inner guides of the receiver and will be ready for being loaded into the barrel.
- Your shotgun is on safety, with an empty chamber and the hammer lowered.
- Just moving the lever will bring the cartridge into the barrel, and will prepare the shotgun to shoot.

- In order to put the hammer on safety it is necessary to do the following: first of all point the weapon in the shooting direction, while maintaining a firm hold of the hammer with the thumb – pull the trigger until the hammer lets off, and ease the hammer down while still holding the hammer, ease the hammer down to the shooting position, then release the trigger and return the hammer back to the safety “half cock” position.
- In this position, if you pull the trigger the shotgun will not shoot.
- In order to bring the shotgun back to “ready to shoot” position pull the hammer back into full cock position.
- **WARNING:** the shooter should always be aware of the fact that the design of safety devices – or even the very presence of safety devices – varies significantly by historical arms, which do not offer the protection against accidental shots which is guaranteed by modern weapons.
- The firearm is now ready to shoot, always wear eye and hearing protection.

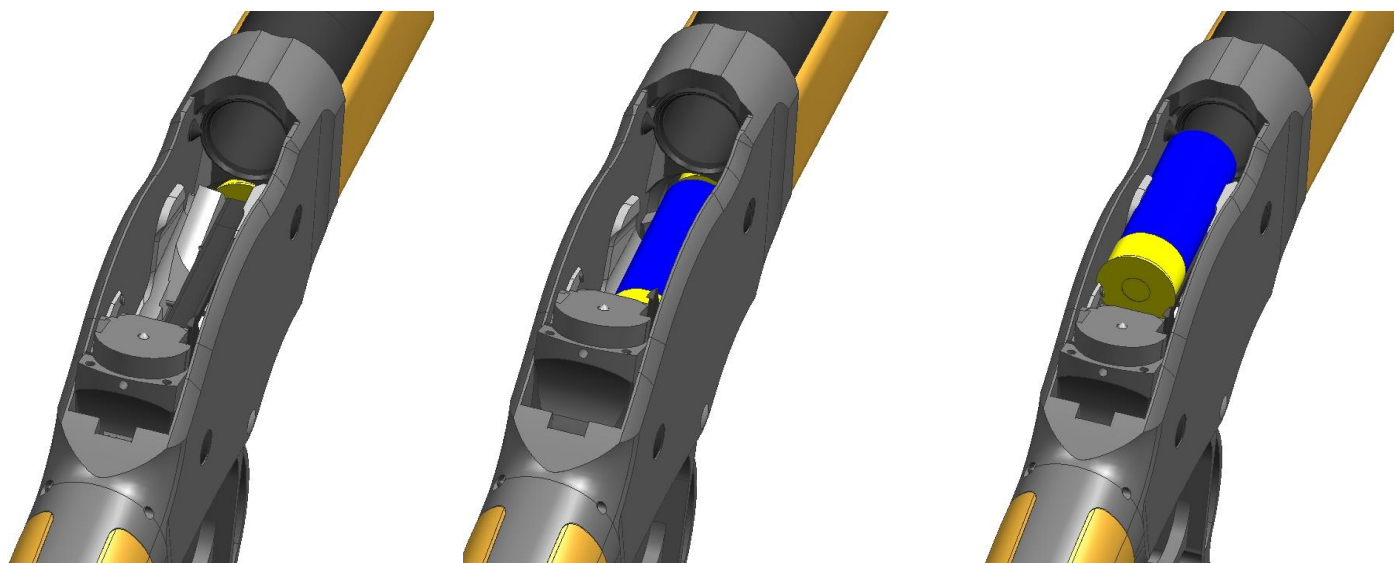
Loading with Fast Load System

- The shotgun called Fast Load differs from the standard shotgun as it allows to load two (and only two) cartridges at the same time with a simple movement.
- The simultaneous loading of two cartridges is useful for use in Cowboy Action Shooting.
- It is not possible to employ the 1887 Fast Load shotgun in the traditional way.
- The simultaneous double loading takes place as follows:
 - Take your Fast Load System shotgun under your arm and get ready in shooting position with the empty shotgun.
 - **WARNING** the shotgun will have to be aimed at the target
 - Open the breech block pushing the lever to the very bottom, with a strong and firm movement.
 - Keep the shotgun pressed against the shoulder with one hand, while taking two cartridges with the other hand.
 - Insert both cartridges inside the receiver, pushing down the two guides
 - The operation will be much easier if you keep the barrel slightly low and the shotgun slightly turned to the left.
 - Close the breech block
 - Thanks to its mechanical design, the Fast Load shotgun allows one of the two cartridges to go directly inside the cartridge chamber while the breech block is being closed, while the other cartridge is pushed inside the loading tube.
 - Please note that the Fast Load system is simple to use, but you will obtain the best performance only with experience and steady training.



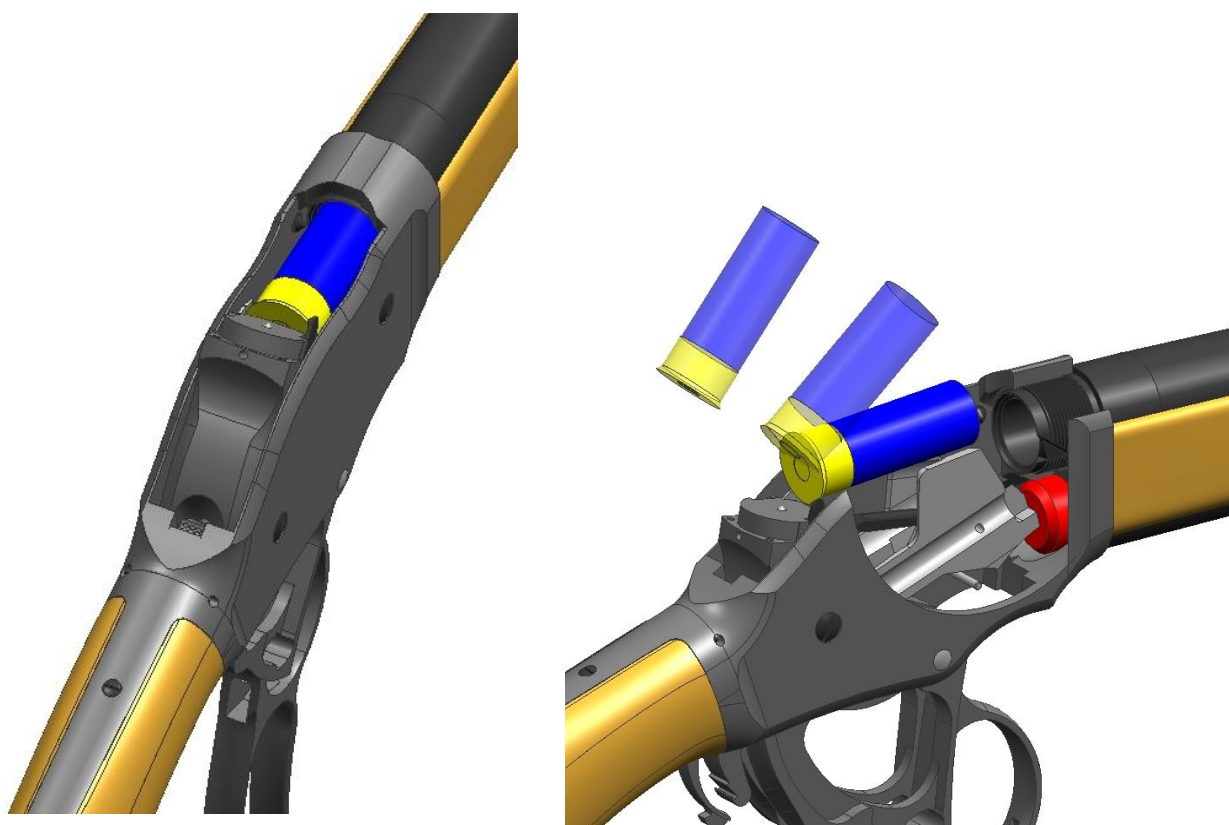
Standard Unloading

- In case that cartridges are still in the loading tube and you want to empty it, first of all make sure that the cartridge chamber is empty.
- Open the breech block and see that the inside of the receiver is clearly visible.
- You will see that, deep inside the receiver, the cartridge is held in place inside the loading tube through the pivot and two guides.
- With your fingers push down the pivot and runners
- The cartridge in the tube will come out, pushed by the cartridge behind or by the cursor.
- Now you can take it off with your fingers, or rotate the breech block to have the cartridge come up in a more comfortable position for manual extraction.
- Repeat the above operations until you have emptied the loading tube completely.



Extraction

- After shooting, open the breech block with the breech lever.
- The two pins inside the breech block will eject the cartridge case from the cartridge chamber.
- After having completely ejected the cartridge case, the breech block will lift the two runners and the pivot before its travel end. These parts will push the cartridge case from the pins.
- A FIRM action will make extraction easier.



Chokes : what they are and how they are used

- The 1887 Lever Action shotgun is supplied by Armi Sport/Chiappa Firearms, in its standard version, with three inner chokes included. One is already mounted on the barrel, and it can be substituted using a special key which is also supplied with the gun.
- Interchangeable chokes allow changing the diameter of the barrel muzzle of hunting shotgun.
- The choke is cone-shaped and forces the shot to be compressed before being shot out of the barrel.

- The possibility to change the muzzle diameter is an efficient system to increase the ballistic precision of the group. Basically, a different choke will allow a higher or lower concentration of the shot in the final group.
- The standard choke mounted in the barrel is the “Cylinder” type; its characteristics is that it does not compress the shot.
 - Full (1 notch): it compresses the shot to the most, more suited for longer shots;
 - Modified (3 notches) : allows for larger groups, but with a shorter shooting range.
- Unload the shotgun before changing the choke. Leave the breech block open, the chamber and the loading tube empty before handling the chokes.
- NEVER – ABSOLUTELY NEVER – use this shotgun without mounting a choke
- Regularly check that the choke has not loosened up
- If you oil the barrel thread and choke thread slightly, this will allow for an easy assembling and disassembling of the choke.
- Attention: it is not necessary to tighten the choke excessively, as you risk damaging the thread of the barrel and of the choke. Furthermore, once the choke is stuck it is very difficult to disassemble it.
- Do not use non-original chokes, the company Armi Sport/ Chiappa Firearms will not be responsible for malfunctioning of the shotgun, death or damage to persons or things, when a non-original choke has been employed.

IDENTIFYING THE CHOKE TYPE:

- **No slot means CYLINDER**
- **One slot means FULL**
- **Three slots means MODIFIED**

Ordinary cleaning

- Attention: a careful and scrupulous ordinary clearing of the firearms is essential to guarantee its safety and long life
- Every time you use your rifle it is advised to clean it in order to remove all corroding agents (humidity, powder or lead residues etc.) which can in time alter a few parts.
- In order to perform a standard cleaning, it is sufficient to utilize a good solvent, cleaning oil, a little brush.
- Always make certain there are no cartridges in the chamber, magazine or action
- Open the breech load lever and bring to light the inner mechanics of the shotgun.

- It is very important to clean the barrel thoroughly; use a good solvent to clean the barrel inside, then use a clean cloth moistened with the solvent, passing it inside the barrel from the chamber to the muzzle opening. Pay attention that you don’t scratch the barrel.
- Use a little brush moistened with the solvent, clean the inside of the receiver in order to clean it thoroughly from any residue of unburnt powder.
- Thoroughly clean the inside of the receiver with a cloth, slightly lubricate metal parts with a brush.
- Verify that the cursor freely slides through the loading tube, and in case lubricate slightly. To that extent, disassemble the band of the loading tube and use the hole on the loading tube cap.
- Check that the inner guides inside the receiver slide freely
- For a deeper cleaning, please turn to your local gunsmith

Ordinary and extraordinary maintenance

- Before performing any sort of maintenance, make sure the firearm is unloaded.
- By “ordinary maintenance” we refer to measures the user should take to keep the gun in good working condition.
- An “Extraordinary maintenance” implies the replacement of broken parts and therefore disassembling the gun. In this case only authorized personnel or a qualified gunsmith should take action.
 - Also a long period of heavy use or inactivity requires an extraordinary maintenance; your gun should be taken to a qualified gunsmith to have the action disassembled for professional cleaning and lubrication.
- Your gunsmith will advise the best lubricant for the proper maintenance of your shotgun.
- Do not leave oil residues when cleaning and lubricating your shotgun.
- Make sure that the mechanism of the weapon is easy; if it starts to stiffen, or if corrosion is starting on some essential parts, you should bring your rifle to competent, professional personnel.
 - Do not use pure silicon or lanolin.
 - In the following pages you will find exploded views with a list of all parts
 - When ordering parts, it’s important to specify date of purchase, serial number, model, caliber and item reference of the part/s needed.
 - If the gun has a problem that you cannot fix, DO NOT FIRE it but send it to an authorized center for a check-up. If you try to fix it personally, you may put yourself in serious danger and the people near you.
 - Always pay great attention and handle the rifle very carefully, in order to avoid terrible accidents which may change your life and that of others.

A NOTE ABOUT HISTORICAL FIREARM DESIGN

Armi Sport proudly manufactures finely crafted replica firearms reproducing famous historical weapons. These firearms are manufactured using leading edge machinery and high quality modern materials. They are faithful reproductions of firearms originally designed in the nineteenth century; therefore, if you choose to own or use historical firearms you should be aware that, along the one hundred or more years past, there have been significant advances in firearms design and safety.

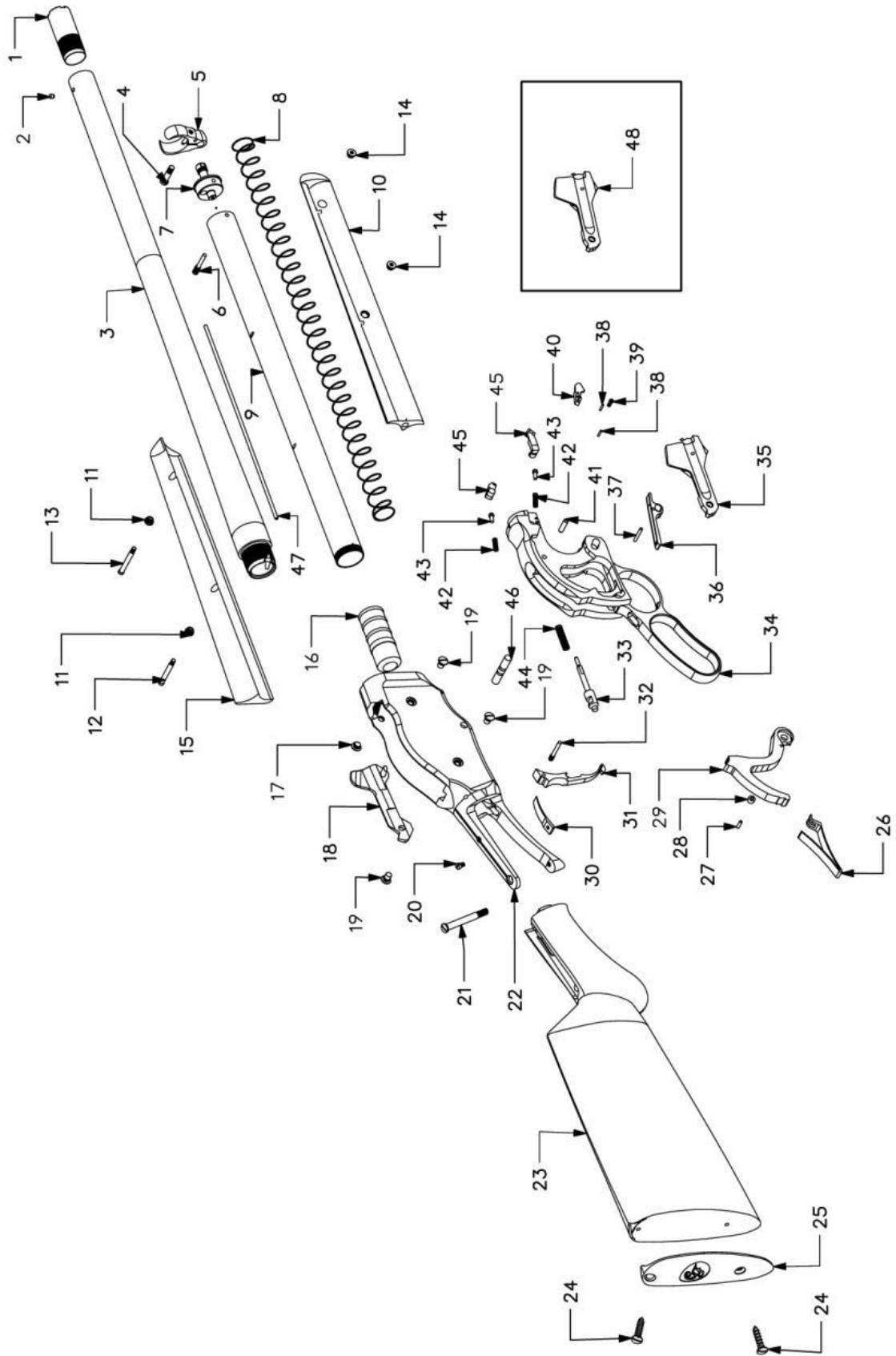
Armi Sport manufactures these guns not as state of the art firearms, but as historically significant firearms for the collector. It is vital that the user be familiar with his firearm and possible safety risks that may be present in the design. Most significantly, the user should realize that the designs of safeties - or even the presence of adequate safeties - vary significantly on historical designs and do not offer the protection against accidental discharge that modern firearms safeties achieve.

PARTS LIST

REF	DESCRIZIONE	DESCRIPTION	BARREL LENGTH 22" L.A.										18,5"		
			28" L.A.	28" L.A.	22" L.A.	28" L.A.	22" L.A.	22" F.L.	22" F.L.	22" CBH	18,5"	18,5"			
			Col.case	Col.case	Chrome	Col.case	Col.case	Chrome	Col.case	Chrome	Col.case	Chrome	Col.case	T series	Bootleg
			Qty	330.000	330.001	330.002	330.003	330.004	330.005	330.013	330.015	330.016			
1	Strozziatore 1887 Full	1887 LA Choke - full	1	270.028	270.028	270.028	270.028	270.028	270.028	270.028	270.028	270.028	270.028	---	---
1	Strozziatore 1887 Modified	1887 LA Choke - modified	1	270.038	270.038	270.038	270.038	270.038	270.038	270.038	270.038	270.038	270.038	---	---
	GR.CALCIO WIN 1887	1887 shotgun stock assembly	1	098.306	098.306	098.343	098.343	098.306	098.343	098.306	098.343	098.306	098.343	098.306	098.488
23	Calcio 1887	1887 shotgun stock	1	780.079	780.079	780.079	780.079	780.079	780.079	780.079	780.079	780.079	780.079	780.128	W780.128
24	Vite calciolo Sh. Spenc. brun.	SHARPS BUTT PLATE SCREW	2	730.209	730.209	730.209	730.209	730.209	730.209	730.209	730.209	730.209	730.209	---	---
25	Calciolo 1887 TRATT	1887 buttplate	1	790.202	790.202	790.212	790.212	790.202	790.212	790.202	790.212	790.202	790.202	---	---
	GR.OTTURATORE WIN 1887	1887 shotgun breech block assem	1	098.307	098.307	098.344	098.344	098.307	098.344	098.307	098.344	098.307	098.344	098.307	098.488
33	Percussore 1887	FIRING PIN 1887	1	730.726	730.726	730.726	730.726	730.726	730.726	730.726	730.726	730.726	730.726	730.726	730.726
34	Otturatore 1887 TRATT	1887 shotgun breechbolt colorcase	1	790.206	790.206	790.214	790.214	790.206	790.214	790.206	790.214	790.206	790.214	790.226	790.226
38	Spina Camma 1887 BRU	1887 cam pin blued	2	730.802	730.802	730.802	730.802	730.802	730.802	730.802	730.802	730.802	730.802	730.802	730.802
39	Vite camma 1887	CAMME SCREW 1887	1	730.741	730.741	730.741	730.741	730.741	730.741	730.741	730.741	730.741	730.741	730.741	730.741
40	Camma 1887	CAMME 1887	1	770.398	770.398	770.398	770.398	770.398	770.398	770.398	770.398	770.398	770.398	770.398	770.398
41	Spina elas. 4x16 spir. leg.	Coiled spring pin light duty 4x16	1	130.014	130.014	130.014	130.014	130.014	130.014	130.014	130.014	130.014	130.014	130.014	130.014
42	Molla spir. 4x13x0.5	Spiral spring 4x13x0.5	1	720.012	720.012	720.012	720.012	720.012	720.012	720.012	720.012	720.012	720.012	720.012	720.012
43	Ristone estrattore 1887	EXTRACTOR LINK 1887	2	730.727	730.727	730.727	730.727	730.727	730.727	730.727	730.727	730.727	730.727	730.727	730.727
44	Molla spir. 6,05x24,5x0,6	Spiral spring 6,05x24,5x0,6	1	720.017	720.017	720.017	720.017	720.017	720.017	720.017	720.017	720.017	720.017	720.017	720.017
45	Estrattore sinistro 1887	LEFT EXTRACTOR 1887	1	770.400	770.400	770.400	770.400	770.400	770.400	770.400	770.400	770.400	770.400	770.400	770.400
49	Estrattore destro 1887	RIGHT EXTRACTOR 1887	1	770.399	770.399	770.399	770.399	770.399	770.399	770.399	770.399	770.399	770.399	770.399	770.399
51	Molla spir. 4x16.5x0.6	#N/D	1	720.011	720.011	720.011	720.011	720.011	720.011	720.011	720.011	720.011	720.011	720.011	720.011
	GR. BASCULA WIN 1887	1887 receiver color case assembly	1	098.308	098.308	098.345	098.345	098.308	098.345	098.308	098.345	098.308	098.345	098.308	098.430
20	Vite molla grilletto 1887 NERA	TRIGGER SPRING SCREW 1887	1	730.745	730.745	730.745	730.745	730.745	730.745	730.745	730.745	730.745	730.745	730.745	730.745
22	Bascula 1887 TRATT	1887 shotgun receiver	1	790.201	790.201	790.213	790.213	790.201	790.213	790.201	790.213	790.201	790.213	790.227	790.227
30	Molla spec. grilletto 1887	TRIGGER SPRING 1887	1	721.116	721.116	721.116	721.116	721.116	721.116	721.116	721.116	721.116	721.116	721.116	721.116
31	Grilletto 1887	TRIGGER 1887	1	770.403	770.403	770.403	770.403	770.403	770.403	770.403	770.403	770.403	770.403	770.403	770.403
32	Spina Vite grilletto 1887	TRIGGER SCREW PIN 1887	1	730.731	730.731	730.731	730.731	730.731	730.731	730.731	730.731	730.731	730.731	730.731	730.731
	GR.GUANCETTA DX NORMAL	1887 cartridge guide right assem	1	098.309	098.309	098.346	098.346	098.309	098.346	098.309	098.346	098.309	098.346	098.309	098.346
35	Guida cartuccia DX87 NORMAL TRATT	RIGHT CARTRIDGE GUIDE 1887	1	790.207	790.207	790.215	790.215	790.207	790.215	790.207	790.215	790.207	790.215	790.215	790.215
36	Bilanciere 1887	CARRIER 1887	1	770.404	770.404	770.404	770.404	770.404	770.404	770.404	770.404	770.404	770.404	770.404	770.404
37	Spina elas. d.2,5x18 spir. l	Coiled spring pin heavy duty 2,5x18	1	130.003	130.003	130.003	130.003	130.003	130.003	130.003	130.003	130.003	130.003	130.003	130.003
	GR.CANE WIN 1887	1887 hammer assembly	1	098.311	098.311	098.311	098.311	098.311	098.311	098.311	098.311	098.311	098.311	098.311	098.311
27	Spina rotella molla cane 1887	HAMMER INNER WASHER PIN	1	730.732	730.732	730.732	730.732	730.732	730.732	730.732	730.732	730.732	730.732	730.732	730.732
28	Rotella per molla cane 1887	HAMMER INNER WASHER 1887	1	730.728	730.728	730.728	730.728	730.728	730.728	730.728	730.728	730.728	730.728	730.728	730.728

REF	DESCRIZIONE	DESCRIPTION	BARREL LENGTH 22" L.A.										18,5"	18,5"
			FINISH	28" L.A. Col.case	22" L.A. Chrome	28" L.A. Chrome	22" F.L. Col.case	22" F.L. Chrome	22" CBH Col.case	18,5" T series	Bootleg			
Qty	QTY		28" L.A. Col.case	22" L.A. Chrome	28" L.A. Chrome	22" F.L. Col.case	22" F.L. Chrome	22" CBH Col.case	18,5" T series	Bootleg	22" CBH Col.case	18,5" T series	Bootleg	
29	Cane 1887 NERO	HAMMER 1887	1 790.203	790.203	790.203	790.203	790.203	790.203	790.203	790.203	790.203	790.203	790.203	
	GR.ASTINA SIN WIN 1887	1887 left forend assembly	1 098.312	098.312	098.312	098.312	098.312	098.312	098.312	098.312	098.312	098.312	098.312	
11	Rosetta sede vite astina 1887	1887 forend screw w asher	2 730.721	730.721	730.721	730.721	730.721	730.721	730.721	730.721	730.721	730.721	730.721	
50	perno astina 1887	forend pin 1887	1 730.781	730.781	730.781	730.781	730.781	730.781	730.781	730.781	730.781	730.781	730.781	
15	Astina sinistra 1887	1887 left forend	1 780.078	780.078	780.078	780.078	780.078	780.078	780.119	780.078	780.078	780.119	780.078	
	GR.ASTINA DEX WIN 1887	1887 right forend assembly	1 098.313	098.313	098.313	098.313	098.313	098.313	098.432	098.313	098.313	098.432	098.313	
10	Astina destra 1887	1887 right forend	1 780.077	780.077	780.077	780.077	780.077	780.077	780.120	780.077	780.077	780.120	780.077	
14	Rosetta filet. vite astina 87	1887 threaded forend screw w asher	2 730.722	730.722	730.722	730.722	730.722	730.722	730.722	730.722	730.722	730.722	730.722	
50	perno astina 1887	forend pin 1887	1 730.781	730.781	730.781	730.781	730.781	730.781	730.781	730.781	730.781	730.781	730.781	
	GR.CANNA CAL 12 22" WIN 1887	1887 barrel 22" 12 ga black assembly	1 098.314	098.323	098.347	098.314	098.314	098.314	---	098.347	098.314	---	---	
1	Strozzatore 1887 Cylinder	1887 LA Choke - cylinder	1 270.039	270.039	270.039	270.039	270.039	270.039	270.039	270.039	270.039	270.039	---	
2	Mirino 1887	1887 L.A. Front Sight	1 730.725	730.725	730.725	730.725	730.725	730.725	730.725	730.725	730.725	730.725	---	
3	Canna fuc. an.liscia c.12-22"-1887	1887 shotgun barrel 22" 12 ga.	1 710.210	710.233	710.276	710.277	710.277	710.276	710.329	710.276	710.276	710.329	710.329	
	GR. TUBO CARIC WIN 1887	1887 magazine black assembly	1 098.315	098.315	098.348	098.315	098.315	098.315	098.315	098.348	098.315	098.315	098.315	
6	Vite tubo caricatore 1887	MAGAZINE TUBE SCREW 1887	1 730.742	730.742	730.742	730.742	730.742	730.742	730.742	730.742	730.742	730.742	730.742	
7	Tappo tubo caricatore 1887	1887 magazine plug	1 730.736	730.736	730.736	730.736	730.736	730.736	730.736	730.736	730.736	730.736	730.736	
8	Molla spir. 20x420x1	Spiral spring 20x420x1	1 720.095	720.095	720.095	720.095	720.095	720.095	720.095	720.095	720.095	720.095	720.095	
9	Tubo caricatore 1887	1887 magazine tube	1 730.737	730.737	730.737	730.737	730.737	730.737	730.737	730.737	730.737	730.737	W730.737	
16	Cursore caricatore 1887	1887 magazine follower	1 730.723	730.723	730.723	730.723	730.723	730.723	730.723	730.723	730.723	730.723	730.723	
	GR. COMP ASSIEME WIN 1887	1887 parts assembly	1 098.316	098.316	098.349	098.316	098.316	098.316	098.316	098.349	098.316	098.349	098.349	
4	Vite anello fascetta 1887	1887 band screw	1 730.743	730.743	730.743	730.743	730.743	730.743	730.743	730.743	730.743	730.743	730.743	
5	Anello fascetta 1887 TRATT	1887 shotgun barrel band colorcased	1 770.401	770.401	770.401	770.401	770.401	770.401	770.401	770.401	770.401	770.401	770.401	
12	Vite astina anteriore 1887	1887 front forend screw	1 730.738	730.738	730.738	730.738	730.738	730.738	730.738	730.738	730.738	730.738	730.738	
13	Vite astina posteriore 1887	1887 rear forend screw	1 730.739	730.739	730.739	730.739	730.739	730.739	730.739	730.739	730.739	730.739	730.739	
17	Vite orienta cartuccia 1887	SHELL GUIDE SCREW	1 730.754	730.754	730.754	730.754	730.754	730.754	730.754	730.754	730.754	730.754	730.754	
18	Guida cartuccia sinistro 1887 TRATT	LEFT CARTRIDGE GUIDE 1887	1 790.205	790.205	790.216	790.216	790.216	790.216	790.216	790.216	790.216	790.216	790.216	
19	Vite guida cartuc. dx-sin. 1887	CARTRIDGE GUIDE SCREW	3 730.740	730.740	730.740	730.740	730.740	730.740	730.740	730.740	730.740	730.740	730.740	
21	Vite coda bascula 1887 NERA	TANG SCREW 1887	1 730.746	730.746	730.746	730.746	730.746	730.746	730.746	730.746	730.746	730.746	730.746	
26	Molla spec. cane 1887	1887 - HAMMER SPRING	1 721.117	721.117	721.117	721.117	721.117	721.117	721.117	721.117	721.117	721.117	721.117	
46	Spina bascula-otturatore 1887	RECEIVER/BOLT PIN 1887	1 730.734	730.734	730.734	730.734	730.734	730.734	730.734	730.734	730.734	730.734	730.734	
---	Vite Portcinghia w in 1887	1887 swivel screw	1 730.782	730.782	730.782	730.782	730.782	730.782	730.782	730.782	730.782	730.782	---	
---	Guida cartuccia DX87 FASTLOAD TRATT	RIGHT CARTRIDGE GUIDE 1887 FAST	1											

EXPLODED VIEW



GUARANTEE CONDITIONS

Armi Sport guarantees that our products are scrupulously checked against defects in materials, workmanship and aesthetical and functioning problems.

In case you find a defect in one of our products, you should immediately contact the DEALER/SHOP/GUNSMITH where you have bought your gun. The seller will indicate the conditions for the repair, which will be either made directly by them or through our assistance.

ATTENTION: end users are not allowed to ship any gun directly to Armi Sport for repair, either under guarantee or against payment. Transportation of weapons is strictly regulated and the documents which are required can solely be issued by companies with specific authorization.

1. Armi Sport will warrant for structural or project defects without any time limit.
2. Armi Sport guarantees, for a year after the purchase date, the free substitution of parts for defects which have been found out also during use: wear of parts which shouldn't be subject to wear, or excessive wear of parts subject to wear. The customer will have to give evidence of the purchase date with a bill or other valid proof.
3. In case the defect under cover of guarantee is not repairable, Armi Sport will provide for a free substitution of the weapon.

ARMI SPORT RESERVES THE INSINDACABLE FACULTY OF DEFINING THE TYPE OF DEFECT OF THE WEAPON, AND THEREFORE TO STATE WHETHER THE DEFECT IS COVERED BY GUARANTEE –Armi Sport’s decision will be fair but final.

Armi Sport will be allowed a timing of 60 days for repair under guarantee, and 90 days for free substitution.

We strongly recommend that you keep the receipt
or proof of purchase for any Armi Sport product

THE GUARANTEE IS VOID IN CASE:

- Inadequate ammunition has been used (any ammunition but those commonly on sale, reloaded ammunition, different from caliber and specification indicated on the gun barrel)
- The gun failed to be provided proper maintenance and cleaning
- The gun has been modified without our prior consent
- Unauthorized, inadequate or incorrect repairs have been carried out
- Parts subject to wear and corrosion
- Damage (improper use of the gun by the user)
- Expiry of the guarantee

In the above cases the repair, if carried out, will be charged to the customer

The guarantee does not cover parts subject to wear and corrosion

In case non original spare parts are used, the guarantee or any service contract with Armi Sport will be void.

ATTENTION: delivery expenses to and from the service center are not covered by the guarantee and will be charged to the customer.

In case, for any valid reason, you do not have the possibility to obtain repair under guarantee at the shop where you bought the gun, you may contact us directly; we will indicate a local dealer to support you with the repair file:

e-mail: info@armichiappa.com - Phone: +39/030/9749065
USA: e-mail: info@chiappafirearms.com - Phone: 937-835-5000

Should Armi Sport become aware of a defect of the rifle during the guarantee period, the defective part will be substituted free of charge.

This instruction manual must always follow the firearm, also in case the owner should change

Procedure for the usage of the guarantee

BEFORE shipping the weapon back for repair, the customer should contact the gunshop where the product was bought. The customer should supply proper information on the defect, and the relevant file will then be started.

The gun shop will be given an “NDR” (Repair Number). The weapon will have to be shipped back to the gun shop in its original packing, with a copy of the purchase date, the Guarantee Form (attached) duly filed with indication of the NDR number, according to the instructions of the dealer.

WARNING: the returned gun must be protected with an adequate packaging; any damages occurred during transportation and handling will be the customer’s responsibility

Request form **REPAIR UNDER GUARANTEE**

NdR NDR :

**Please write in the above box the Repair Number you were given by the
gun shop**

1. Customer data:

- Name: _____
- Address : _____
- Town : _____
- ZIP Code : _____
- Phone : _____ Available from ____ to ____
- Fax : _____

2. Product information:

- Model : _____
- Serial number : _____

3. Gun Shop - dealer:

- Purchase date : _____
- Dealer name : _____
- Dealer address : _____

4. Description of defect:

Documents to enclose: Proof of the purchase date



Via Milano 2
25010 Azzano Mella (BS)
Italy

www.chiappafirearms.com
email: info@chiappafirearms.com