

INSTRUCTION MANUAL

M1 Carbine



OFFICIAL SPONSOR



NASGW



ATTENTION: BEFORE REMOVING THIS FIREARM FROM ITS PACKAGE READ & UNDERSTAND WARNINGS, INSTRUCTIONS AND PRECAUTIONS IN THIS USER'S MANUAL

A Note on Historical Design Firearms



Chiappa Firearms proudly manufacture finely crafted replica firearms reproducing famous historical weapons.

It is vital that the user be familiar with his firearm and possible safety risks that may be present in the design. Most significantly, the user should realize that the designs of safeties - or even the presence of adequate safeties - vary significantly on historical designs and do not offer the protection against accidental discharge that modern firearm safeties achieve.

The M1 carbine is a lightweight semi-automatic carbine that became a standard firearm in the U.S. military during World War II and the Korean War, and was produced in several variants. It was widely used by U.S. and foreign military and paramilitary forces, and has also been a popular civilian firearm.

Around 1920 armies around the world were realizing standard rifle cartridges were more powerful than necessary for typical engagement ranges, leading to heavier rifles than really required. With its semi-automatic operation, the M1 allowed US forces to maintain substantially higher rates of fire, and its heavy .30-06 cartridge offered superior penetrating power. The M1 thus gave American infantry a tremendous firepower advantage over Axis troops who still carried bolt-action rifles such as the Karabiner 98k. The rifle proved so effective that leaders, such as General George S. Patton, praised it as "the greatest implement of battle ever devised."

The Chiappa Firearms' M1 is a replica of the M1 carbine, featuring a blowback system and an adjustable rear sight, which can be removed to leave guides free for optics mount. The barrel and bolt are made of solid steel, the trigger guard, stock and magazine of polymer. By the .22LR caliber version, the 10 rounds magazine has a straight profile like the original and the stock is interchangeable with the original; a wooden stock version and a black rubber stock version are available.

By the 9 mm caliber version, the 10 rounds magazine is interchangeable with Beretta 92/98 magazines.

INDEX

WARNINGS	4
SAFETY RULES	5
IDENTIFYING MARKINGS.....	6
AMMUNITION	7
MODEL RANGE.....	8
BREAK-IN PERIOD	9
SAFETY FEATURES.....	9
MANUAL SAFETY	9
LOADING.....	10
SIGHT ADJUSTMENT	11
SHOOTING/FIRING.....	12
SAFE UNLOADING/DECOCKING.....	12
CLEARING MISFIRES	13
DISASSEMBLY (FIELD STRIPPING), M1-22.....	13
DISASSEMBLY (FIELD STRIPPING), M1-9.....	13
CLEANING	17
ORDINARY & EXTRAORDINARY MAINTENANCE.....	17
TROUBLESHOOTING TIPS	19
EXPLODED VIEW – M1-22 CALIBER .22LR	21
EXPLODED VIEW – M1-9 CALIBER 9X19MM	22
PARTS LIST – M1-22 CALIBER .22LR.....	22
PARTS LIST – M1-9 CALIBER 9X19MM	23
WARRANTY CONDITIONS.....	25

WARNINGS

Kimar /Armi Sport/ Chiappa Firearms is not responsible for damage to objects caused by misuse of the gun or for injuries to persons or animals, or in case of death, caused voluntarily or involuntarily by the gun user.

Kimar /Armi Sport/ Chiappa Firearms is not responsible for injuries caused by poor maintenance, misuse of the gun, unauthorized or improper modifications.

Kimar /Armi Sport/ Chiappa Firearms declines responsibility for the indirect consequences of any injuries and / or death of persons or animals, damage to objects caused by use of the gun or by primer explosion, by bullet's ricochet, or unsafe loading practices and / or procedure.

Read the entire manual and learn the proper use of the gun without live ammunition. It is important that you understand the proper use of this product. The life of the people close to you may depend on your safe behaviour.

If the manual is not clear, please contact the dealer where you bought the gun or call the distributor or the manufacturer by using the contact information provided within this manual.

Kimar/Armi Sport/ Chiappa Firearms declines any responsibility for misuse of the firearm. In case of alteration of the firearm, Kimar/Armi Sport/ Chiappa Firearms declines any civil and penal responsibility and will not refund any damage.

All our guns are tested in the Kimar/Armi Sport or Chiappa Firearms Ltd facility.

To guarantee the gun is safe, all guns produced by Kimar/Armi Sport are sent to the National Proof House of Gardone Val Trompia – BRESCIA – ITALY for proof testing.

The Proof House tests the firearm with heavy loads then checks the barrel, chamber and headspace to make certain the firearm is safe for use with standard factory ammunition.

The National Proof House will put their markings on the gun, according to the Italian law, certifying the gun is qualified and can be sold.

QUALITY INSPECTION: Every firearm is thoroughly inspected by the manufacturer, for function and cosmetic blemish, prior to shipment.

ANY LEGAL DISPUTE WILL BE UNDER THE JURISDICTION OF A COURT IN THE STATE OF OHIO OR IN THE COURT OF BRESCIA – ITALY, AT OUR DISCRETION.

Warning!

Discharging firearms in poorly ventilated areas, cleaning firearms, or handling ammunition may result in exposure to lead or other substances known to the State of California to cause birth defects, reproductive harm, and other serious physical injury. Have adequate ventilation at all times. Wash hands thoroughly after exposure.

SAFETY RULES

1. Read the instructions carefully before use. Reading the manual and careful examination of the gun are fundamental to avoid any kind of problem.
2. Be aware that you are handling a firearm; therefore your knowledge and behaviour may affect your life and those of the people close to you.
3. Guns and ammunitions must be kept in separate places.
4. ALWAYS keep guns and ammunitions out of reach of children.
5. Store the gun in a clean, dry and airy place after use to avoid rust in mechanical parts that may cause serious problems in functioning after a period of inactivity.
6. The gun must ALWAYS be stored unloaded, ALWAYS check that the chamber is empty.
7. Keep away from open flame or heating sources.
8. Never leave a loaded gun unattended.
9. Never leave the firearm loaded and with a closed breech block, it could fall and cause injury and death. Always point the gun in a safe direction, and handle it as though it were loaded. This is especially important when loading and unloading the gun, and when handing it to someone else. Never take someone's word that it is unloaded. Always make sure the gun is unloaded before laying it down or handing it to someone else.
10. After use, clean and lubricate the inside of the barrel with appropriate oil. Grease or oil build up can cause excessive pressure and result in serious personal injuries. Before using the gun again, inspect the barrel and chamber to make certain that there are no obstructions in the bore. Remove any oil residue with rod and dry patch before shooting.
11. Accumulation of rust in the barrel can cause excessive pressures resulting in serious injury and may cause the explosion of the barrel. A rusted, pitted or eroded barrel should be replaced.
12. Before shooting ALWAYS check to ensure that the barrel is free of obstructions.
13. Never force a jammed action, this act could cause explosion of the round and consequent injury.
14. Use exclusively factory loaded ammunition of the caliber specified on the firearm barrel. Use of different calibers may cause serious personal injuries to you and to people close to you.
15. In case of misfire, manually extract the cartridge from the chamber. If firearm fails to fire when trigger is pulled, as a result of slow primer ignition (hangfire), keep muzzle pointed downrange for a minimum of 30 seconds. If the round does not fire, remove the magazine, clear the firearm and examine the ejected, unfired cartridge. If the indent from the firing pin is off center, light or absent, take the gun to a competent gunsmith. If the indent appears normal compared to other rounds, assume a faulty round, separate from other cartridges, reload and continue shooting.
16. Do not attempt to re-use unexploded ammunitions.
17. NEVER modify any parts of your gun. Any alteration may cause serious personal injury and voids the warranty.
18. Only a qualified gunsmith may service the gun for repair or serious maintenance.
19. Pay great attention during transportation and use. Mechanical safety devices can fail. Developing intelligent, good safety habits is the best way to prevent accidents.
20. Never rest your finger on the trigger until the very moment you wish to shoot. Always keep the safety on until you are ready to safely shoot at an intended target (see safety features). Note: Safety devices on guns are extras and are not a substitute for your proper and safe handling practices.
21. ALWAYS keep the gun unloaded when transporting it from home to the shooting areas. Carefully check that cartridge chamber is empty.

22. When you walk around with the gun in a shooting area, ALWAYS keep the muzzle pointed in a safe direction.
23. NEVER run with a loaded gun, don't cross any obstacle (fences or water courses, etc.) or walk where there is any possibility of slipping or falling without having your firearm unloaded and in safety position.
24. When selecting a place to shoot, always be absolutely sure of your target and the area behind it before you touch the trigger, making sure there is an adequate backstop which will stop and contain bullets. A bullet can travel through or past your target with a range up to 1 1/2 miles. If you have any doubt, do not shoot.
25. Never shoot against a solid surface or in a pool of water, the projectiles could ricochet and shoot toward any direction. Don't shoot up into the sky.
26. Keep all bystanders behind you, standing beside a shooter is not a safe position. Make sure all other shooters and bystanders are well away from the ejection port.
27. Do not smoke while handling, loading or shooting any ammunition, especially black powder. Keep black powder in a closed container at all times, reclosing the container after each and every use.
28. Never drink alcoholic beverages or take any drugs before or during shooting, as this not only constitutes criminal disregard for your safety and that of others, but will seriously impair your judgment and vision. Never use a gun while you are taking medication unless you have checked with your doctor to ensure your fitness to handle the gun safely.
29. Always wear and encourage others near you to wear proper ear protection when shooting, especially on a range since the noise from your gun, and other guns close to you, could result in permanent hearing loss.
30. Always wear protective shooting glasses to protect your eyes from injury by gun powder, gas, lubricant, dirt or metallic particles, carbon residue, sparks or other debris.
31. Wash hands thoroughly after shooting and handling firearms to remove any unwanted residues.
32. NEVER leave the loaded firearm or the loaded magazine in the sun
33. Being this firearm is a replica of original design, there is no modern safety. REMEMBER: No mechanical safety device is infallible.

The user is responsible for injuries or damages caused to him or to other persons.

COMPLETE KNOWLEDGE OF YOUR FIREARM CAN MAKE THE DIFFERENCE.

IDENTIFYING MARKINGS

Every gun we produce has a serial number that is marked on the receiver. Close to the serial number you will also find the manufacturers information with the model name and caliber marked either on the frame or the slide as required by law.

These markings must not be removed from the firearm for any reason.

AMMUNITION

ATTENTION: For best performance of the M1-22 (caliber .22LR) we recommend the use of quality .22 LR ammunition high velocity

NOTICE

WE SPECIFICALLY DISCLAIM RESPONSIBILITY FOR ANY DAMAGE OR INJURY WHATSOEVER OCCURRING IN CONNECTION WITH, OR AS THE RESULT OF, THE USE OF FAULTY, OR NONSTANDARD, OR “REMANUFACTURED” OR HANDLOADED (RELOADED) AMMUNITION, OR OF CARTRIDGES OTHER THAN THOSE FOR WHICH THE FIREARM WAS ORIGINALLY CHAMBERED.

Please allow 100-150 rounds for initial “Break-In” period

- Death, serious injury, and damage can result from the use of wrong ammunition, bore obstructions, powder overloads, or incorrect cartridge components.
- Use only ammunition specifically recommended for your firearm (Proper Ammunition specified on barrel and cylinder).
- Always use cartridges whose length is equal or inferior to that indicated on the barrel.
- Use only high quality, original factory manufactured ammunition whose pressure cannot be higher than the one stated by S.A.A.M.I. or C.I.P.
- Your gun has been designed for ammunition of a specific caliber – do not alter the barrel, chamber, caliber for which your gun was designed.
- Be sure you never mix ammunition.
- Firearms may be severely damaged, and serious injury to the shooter or others may result from any condition causing excessive pressure inside the chamber or barrel during firing. Excessive pressure can be caused by obstruction in the barrel, propellant powder overloads, or by the use of incorrect or defectively assembled cartridges. In addition, the use of a dirty, corroded or damaged cartridge can lead to a burst cartridge case and consequent damage to the firearm and personal injury from the sudden escape of high-pressure propellant gas within the firearm's mechanism.

Immediately stop shooting and check the barrel for a possible obstruction whenever:

- You have difficulty in, or feel unusual resistance in chambering a cartridge
- A cartridge misfires (does not go off)
- The mechanism fails to extract a fired cartridge case
- Unburned grains of propellant powder are discovered spilled in the mechanism
- A shot sounds weak or abnormal

In such cases it is possible that a bullet is lodged part way down the barrel. Firing a subsequent bullet into the obstructed barrel can damage the firearm and cause serious injury to the shooter or bystanders.

Bullets can become lodged in the barrel:

- If the cartridge has been improperly loaded without propellant powder, or if the powder fails to ignite. Ignition of the cartridge primer alone will push the bullet out of the cartridge case, but usually does not generate sufficient energy to expel the bullet completely from the barrel.
- If the bullet is not properly seated tightly in the cartridge case. When such a cartridge is extracted from the chamber without being fired, the bullet may be left behind in the bore at the point where the rifling begins. Subsequent chambering of another cartridge may push the first bullet further into the bore.
- If there is any reason to suspect that a bullet is obstructing the barrel, immediately unload the firearm and look through the bore. It is not sufficient to merely look in the chamber. A bullet may be lodged some distance down the barrel where it cannot easily be seen. If a bullet is in the bore, do not attempt to shoot it out by using another cartridge, or by blowing it out with a blank or one from which the bullet has been removed. Such techniques can generate excessive pressure, damage the firearm and cause serious personal injury. If the bullet can be easily removed with a wood or brass dowel, (using hand pressure only, never "hammer" a bullet lodged in the bore) clean any unburned powder grains from the bore, chamber and mechanism before resuming shooting. If the bullet cannot be dislodged by tapping it with a cleaning rod, take the firearm to a gunsmith.
- Dirt, corrosion, or other foreign matter on a cartridge can impede complete chambering and may cause the cartridge case to burst upon firing. The same is true of cartridges which are damaged or deformed.
- Don't oil cartridges, and be sure to wipe the chamber clean of any oil preservative before commencing to shoot. Oil interferes with the friction between cartridge case and chamber wall that is necessary for safe functioning, and subjects the firearm to stress similar to that imposed by excessive pressure.
- Use lubricants liberally on the moving parts of your firearm. Avoid excessive spraying of any aerosol gun care product, especially where it may get on ammunition. All lubricants, and aerosol spray lubricants in particular, can penetrate cartridge primers and cause misfires. Some highly penetrative lubricants can also migrate inside cartridge cases and cause deterioration of the propellant powder; on firing, the powder may not ignite. If only the primer ignites, there is a danger that the bullet may become lodged in the barrel.

The use of reloaded or improper ammunition voids the warranty.

MODEL RANGE

MODEL	CALIBER	Barrel length		Total length		Weight		No. of shots	Finish	Market
		IN	CM	IN	CM	GR	LBS			
CIR22M1S	22LR	18"	45,72	35"	88,5	2120	4,70	10	Synthetic	USA
CIR22M1W	22LR	18"	45,72	35"	88,5	2120	4,70	10	Wood	USA
CF500.136	9x19mm	19"	46,7	36"	88,5	2500	5,90	10	Synthetic	USA
CF500.137	9x19mm	19"	46,7	36"	88,5	2500	5,90	10	Wood	USA
500.083	22LR	18"	45,72	35"	88,5	2120	4,70	10	Synthetic	World
500.082	22LR	18"	45,72	35"	88,5	2120	4,70	10	Wood	World
500.137	9x19mm	19"	46,7	36"	88,5	2500	5,90	10	Synthetic	World
500.136	9x19mm	19"	46,7	36"	88,5	2500	5,90	10	Wood	World

BREAK-IN PERIOD

Before firing the pistol for the first time, Field Strip and clean the firearm following proper procedures. For proper Break-in of the firearm shoot 100-150 rounds of high velocity Quality Factory Ball Ammunition, cleaning and lubricating the gun every 200/300 rounds.

SAFETY FEATURES

Never rely on mechanical safeties to overcome improper maintenance or unsafe handling practices

NEVER ASSUME THE GUN IS UNLOADED. You can never be sure a gun is unloaded unless you check that the charger is not in place and the cartridge chamber is completely empty.

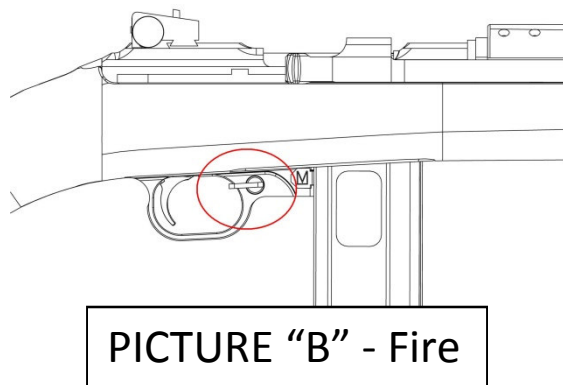
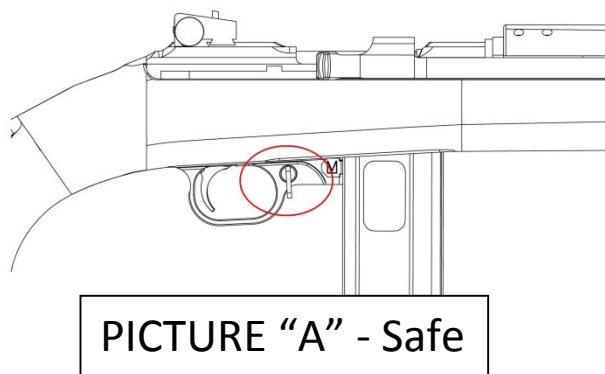
MANUAL SAFETY

WARNING: Always leave the manual safety engaged (on “SAFE”) until you intend to fire.

Manual Safety

SafePosition – as seen in picture A.

FirePosition - as seen in picture B.



Safety Engagement by M1-9 mm:

To engage the safety to the “ON SAFE” position (Picture A), remove the magazine and retract the bolt by pulling back the charging handle AND VISUALLY CHECKING TO MAKE SURE THERE IS NOT A LIVE ROUND IN THE CHAMBER. Release the charging handle to return the bolt fully forward into battery. This will cock the hammer and allow the safety lever to be rotated 90° counter clockwise to the safe position.

Note: with the hammer in the decocked position, the safety lever cannot be rotated to the safe position. When you are sure of your target and ready to fire, engage the safety lever to the “FIRE” position (Picture B) by rotating the safety lever 90° clockwise.

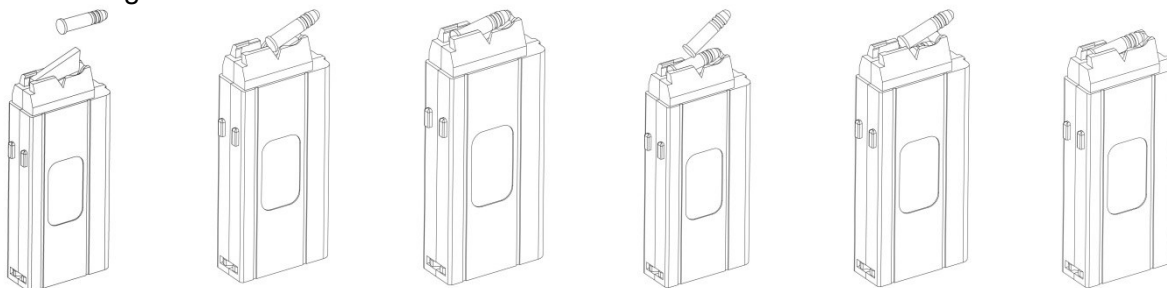
Functional Inspection:

1. Bolt movement: Remove the magazine and retract the bolt by pulling back the charging handle. Release the charging handle to return the bolt fully forward into battery.
2. Only by M1-22, Bolt catch: Insert the empty magazine, retract the bolt by pulling back the charging handle. The bolt locks back in rearmost position. M1-9 does not feature an Hold-open mechanism.
3. Bolt catch 2 : Pull back completely the action lever and push downwards the button on the action lever; the breech block will be locked. Pull back the lever and release it in order to unlock the breech block.
4. Decocking: Make sure that the firearm is unloaded (chamber cleared, barrel clear of any obstructions, magazine removed). Make sure the muzzle is pointed in a safe direction. Pull the trigger. The hammer drops in decocked position.

LOADING

Warning: Make sure that the firearm is unloaded (chamber cleared, barrel clear of any obstructions, magazine removed) for inspection and that the safety is in the safe position. Keep muzzle pointed in safe direction and follow all safety procedures at all times. Practice these steps with an unloaded gun or dummy ammo until you are completely familiar and comfortable with the procedures. Use live ammo only when you are prepared to shoot. Always use clean, dry, high quality ammunition (of the proper caliber) that meets industry performance standards.

1. Press magazine release and remove empty magazine.
2. Insert the cartridge under the magazine lips, at the same time pushing down the follower. The follower must be pushed just enough to allow one cartridge at a time to be placed into the magazine.



3. Insert the loaded magazine until the magazine catch locks it in position.
4. To load the chamber with the first cartridge, pick up the firearm with your shooting hand and point the muzzle in a safe direction.
5. Use your other hand to retract and release the bolt with the help of the charging handle. As the bolt travels forward it inserts the first round into the chamber. The hammer is now cocked. Leave the safety in the safe position until you are ready to fire.

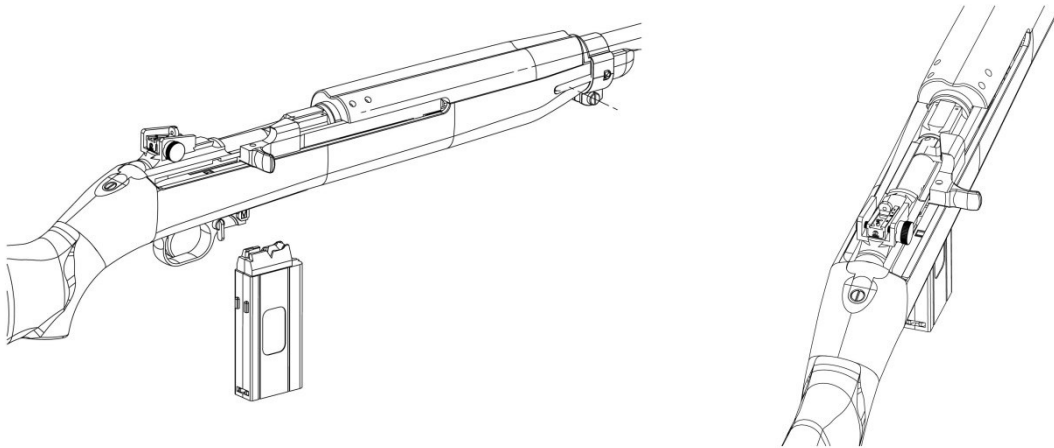
NOTE : M1-22 (caliber .22LR) are supplied with two straight 10-shot magazines.
M1-9 (caliber 9x19) are supplied with two 10-shot magazines compatible with Beretta 92/98 magazines

Warning: Never put your hand in front of the muzzle.

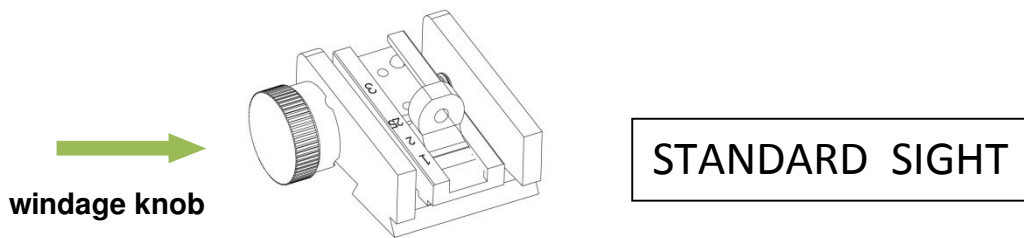
Always load a round into the chamber by feeding it from the magazine.

Warning : M1 carbines are designed so that they are able to fire when the magazine is removed. Therefore, if the magazine is removed from the firearm and there is a loaded round in the chamber, it will fire if the trigger is pulled. After inserting a magazine, always test to make sure it is locked in place by applying some removal pressure to the magazine.

Your firearm is now ready to fire. Keep your finger off the trigger and **out of the trigger guard until you are ready to fire.**



SIGHT ADJUSTMENT



Setting of the rear sight

The elevation is adjusted by moving the leaf up and down. There are 4 possible positions, each defined by a click. The windage is adjusted by turning the windage knob (part #54 from exploded view).

Mounting an optical sight

To mount an optical sight, the standard sight can be removed by loosening the nuts on the base of the sight. This will provide a standard rail for mounting of optics.

SHOOTING/FIRING

Grasp firearm with one hand on forearm and other hand on grip with index finger resting along outside of trigger guard. Raise firearm and pull buttstock **FIRMLY** into shoulder.

Aim at a safe target. Turn the manual safety to the fire position. Squeeze the trigger slowly and maintain the pressure until the round is fired.

Your firearm will load a new round from the magazine after each shot also known as Semi-Automatic cycling .

You may continue to fire by pulling and fully releasing the trigger until the magazine is empty.

If you wish to stop, release trigger, remove finger from triggerguard, and set safety selector to "SAFE" position. Remove cartridges as explained under section "Unloading"

If you decide not to fire after the hammer has been cocked or if you decide to suspend firing, keep the firearm pointed in a safe direction.

Remove your finger from within the trigger guard.

Place the manual safety in the "SAFE" position and remove the magazine.

Pull charging handle rearward to eject any remaining cartridge(s).

Make sure that the firearm is unloaded (magazine removed, chamber and barrel cleared)

You must be certain there is no cartridge in the chamber or obstructions in the barrel.

Remember that any time you release the bolt while a magazine containing cartridges is in the firearm, you will have reloaded the firearm and it will be capable of firing.

To safely decock your firearm, make sure that the magazine is removed and no rounds are in the chamber as explained in the following section SAFE UNLOADING.

The firearm's safety has to be in the FIRE position to properly complete this action. **MAKE SURE** the firearm is unloaded before proceeding.

While holding back pressure on the charging handle, pull the trigger and gently allow the bolt to move forward to the closed position.

Do not allow the bolt to slam forward for this action.

This step will safely decock the hammer and will not damage the firing pin.

Pulling the trigger with a closed bolt allowing the hammer to strike the firing pin normally at full force with an empty chamber is called DRY FIRING

DRY FIRING will damage your firing pin and make your firearm inoperable

NEVER DRY FIRE YOUR FIREARM

Keep the firearm pointed in a safe direction when decocking. Failure to do this can result in serious injury or death.

SAFE UNLOADING/DECOCKING

1. Point the muzzle in a safe direction.
2. Remove the magazine.
3. Ensure that the chamber is empty by pulling back the charging handle to visually inspect the chamber. Keep firearm pointed in a safe direction.
4. Retract the charging handle so that the bolt moves slightly back.
5. Squeeze trigger gently to decock the firearm. The firearm may now be carried safely.

Keep the firearm pointed in a safe direction when unloading. Failure to do this can result in serious injury or death.

Remember to always unload the magazines: they should NEVER be left loaded for any length of time.

CLEARING MISFIRES

Warning: If your firearm gives any indication that it is not performing properly or the operation of your firearm has changed “the way it feels or sounds”, stop firing. Make sure the firearm is pointed in a safe direction, unload the firearm and have it inspected and test fired by a qualified gunsmith.

1. If a cartridge fails to fire, wait 30 seconds while keeping the muzzle pointed in a safe direction. Keep your finger off the trigger and out of the trigger guard.
2. Remove the magazine.
3. Grasp the bolt with the charging handle and briskly pull it fully rearward to eject the misfired round.
4. Check the barrel chamber and bore visually for any obstructions. Never look down the barrel from the muzzle end. You must be certain there are no cartridges in the chamber or obstructions in the barrel.

Remember that any time you release the bolt while a magazine containing cartridges is in the firearm, you will have reloaded the firearm and it will be capable of firing.

Note: the forward assist plunger is not in function. In case of feeding failures, retract the charging handle to extract the damaged round.

Warning: Never try to use a misfired cartridge again.

DISASSEMBLY (FIELD STRIPPING), M1-22

Always follow the disassembly instructions exactly. Never do anything beyond what you are specifically instructed to do in this manual. Never alter or modify the parts in your firearm.

1. Prior to disassembly, place the manual safety in the safe position, take **out the magazine and check that the firearm is not loaded.**
2. Unscrew the barrel band screw (no. 41 on exploded view) and remove the barrel band (no. 37).
3. Remove the forend (no. 29), the barrel group and the upper.

DISASSEMBLY (FIELD STRIPPING), M1-9

1. Prior to disassembly, place the manual safety in the safe position (by M1-9 mm you have to cock the hammer first), **remove the magazine and check that the firearm is not loaded.**
2. Unscrew and completely remove the magazine button # 65 and # 64; be careful not to lose spring # 66
3. Loosen the ring band screw # 49
4. Press spring # 7 and remove the band ring being careful not to lose spring # 7 and nut # 48
5. Remove the forend
6. Remove the gun from the stock
7. Remove pin # 35 and disassemble the trigger group from the receiver. Now you can proceed with the cleaning

8. Re-assemble all parts following the above points in inverse order, we recommend that you put some thread locker on the threads of components # 64 and # 49

Warning: By M1 in caliber 9mm, when you re-assemble the gun, use a medium threadlocker to avoid that vibration during shooting may loosen the tightening of the screws.

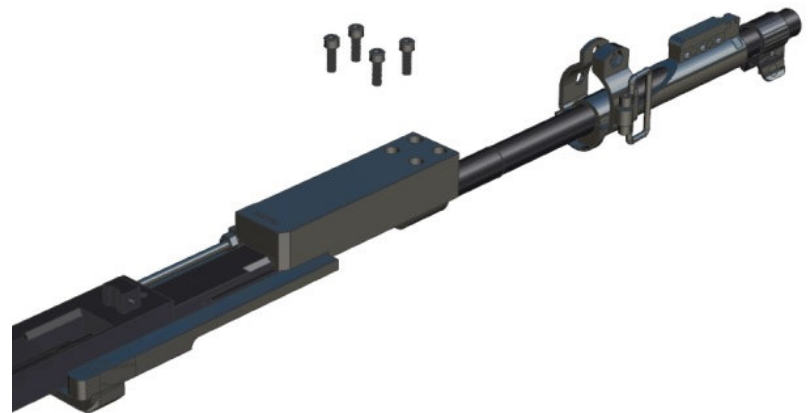


PART 2: Complete disassembly

Once you have removed the gun from the stock you can proceed as follows :

1. Unscrew the 4 screws # 42 under action lever # 40

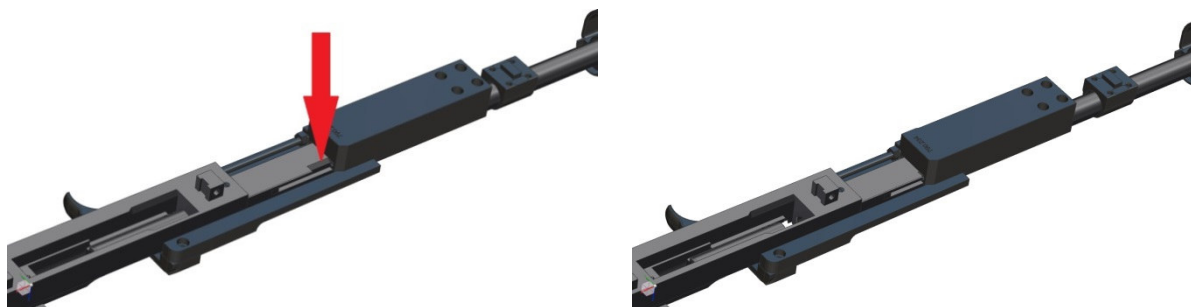
WARNING These screws have been glued with thread locker. In case you can't unscrew them, please use an industrial dryer or a flame to heat the screws and try again.



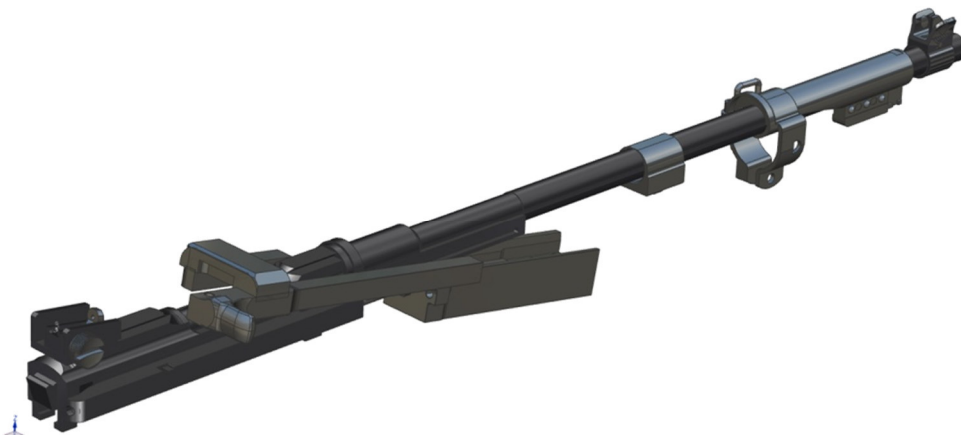
2. Release lever # 40 from bushing # 41 moving it vigorously downwards



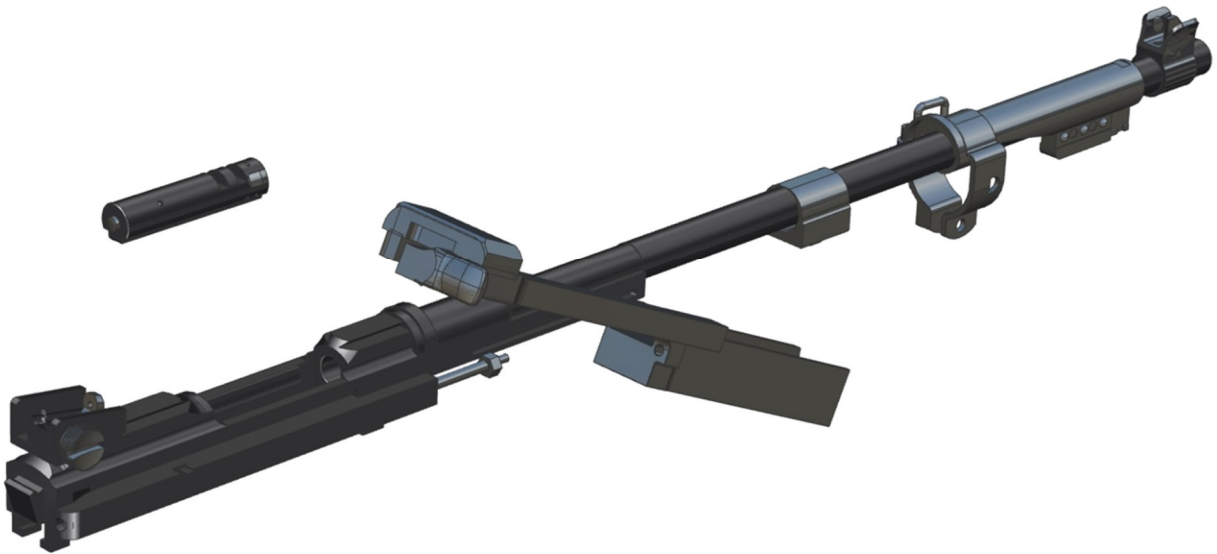
3. Pull back the lever until it reaches an intermediate position. In this position, if you push down the lever, the guides of the lever can be released from the guides of the receiver # 36



4. Remove the lever from the receiver # 36 and push it slightly forward

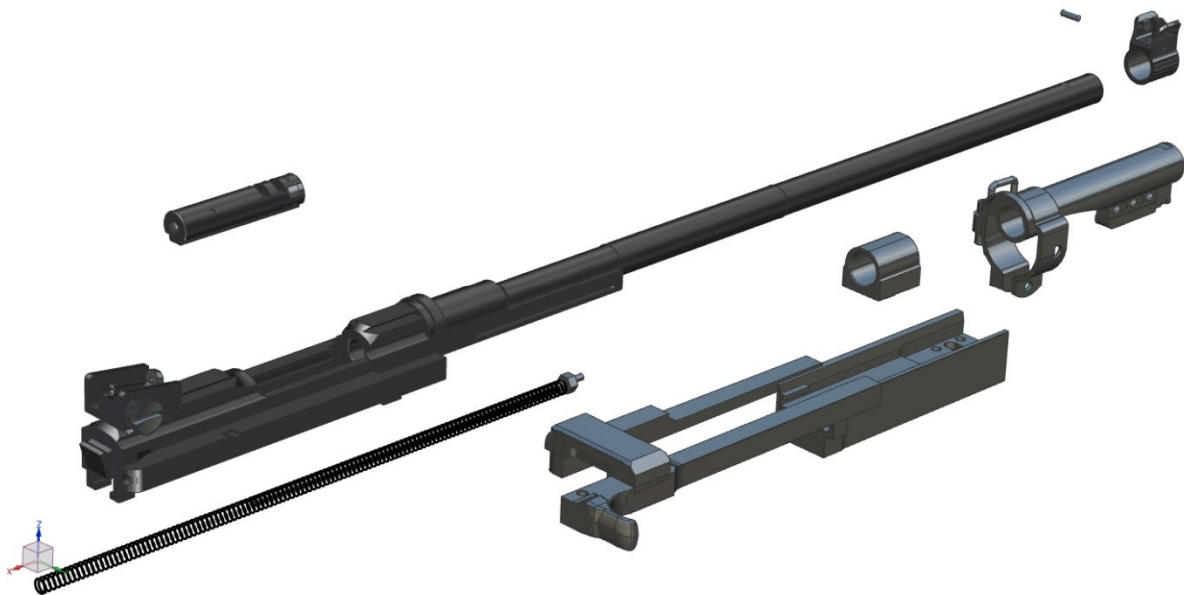


5. Remove the bolt assembly



6. Remove pin # 61 to disassemble the front sight # 60

7. Remove the front sight # 60, the band ring # 45, the bushing # 41 and finally lever # 40



8. Remove from the receiver the spring # 38 and forend # 37

9. Clean the parts that need cleaning

10. Assemble the parts following the above steps in the opposite order; don't forget to use some medium thread locker on the threads of screws # 42

WARNING the barrel CAN NOT be removed from the receiver

CLEANING

Note well: Careful and thorough cleaning of this firearm is essential to guarantee its safety and proper function.

This product should be cleaned after every use and when exposed to dirt, sand, etc. When not in use, clean at least twice per year. A careful and scrupulous ordinary cleaning of the firearms is essential to guarantee its safety and long life. We recommend to clean the firearm at least after shooting 200 to 300 shots.

- Every time you use your gun it is advised to clean it in order to remove all corroding agents (humidity, powder or lead residues etc.) which can in time alter a few parts.
- In order to perform a standard cleaning, it is sufficient to utilize a good solvent, cleaning oil, and a little brush.
- For a deeper cleaning, please contact your local gunsmith

Warning: always run the cleaning rods from the chamber end

1. Verify gun is ON SAFE.
2. Remove charger and clean the retaining lips
3. Visually inspect to verify that no ammo remains anywhere in the rifle.
4. Thoroughly clean the bolt assembly area with a brush and cloth.
5. Clean the ejector, breech block, bolt, battery (inside) and barrel breech.
6. Clean the barrel with bore solvent utilizing a flexible cleaning rod inserted trough breech end of barrel (where bullet seats). Dry the barrel with cleaning patches; always begin at the chamber. Repeat until barrel is clean.
7. Apply a thin coat of oil to all metal parts.
8. Reassemble firearm and check for proper function.

ORDINARY & EXTRAORDINARY MAINTENANCE

- Before conducting any sort of maintenance, make sure the firearm is unloaded.
- By "ordinary maintenance" we refer to measures the user should take to keep the gun in good working conditions.
- An "Extraordinary maintenance" implies the replacement of broken parts and therefore disassembling the gun. In this case only authorized personnel or a qualified gunsmith should handle the task.
- Also if a long period of heavy use or inactivity requires an extraordinary maintenance; your gun should be taken to a qualified gunsmith to have the action disassembled for professional cleaning and lubrication.
- Your gunsmith will advise the best lubricant for the good maintenance of your gun.
- Do not leave oil residues when cleaning and lubricating your firearm.

- Make sure that the mechanism of the firearm is easy; if it starts to stiffen, or if corrosion is starting on some essential parts, you should bring your gun to a gunsmith.
- Do not use pure silicon or lanolin.
- In the following pages you will find exploded views with a list of all parts. When ordering parts, it's important to specify date of purchase, serial number, model, caliber and item reference of the part/s needed.
- If the gun has a problem, DO NOT FIRE it but send it to an authorized center for a check-up. If you try to fix it personally, you may put yourself and the people near you in serious danger. Always pay great attention and handle the gun very carefully, in order to avoid terrible accidents which may change your life and that of others.

VERY IMPORTANT:

NEVER LEAVE MAGAZINES LOADED FOR ANY LENGTH OF TIME!

If you leave the magazine loaded, it may deteriorate and become useless.

The spring will wear, the lips may be damaged, and the frame of the magazine may swell causing the assembly and disassembly extremely difficult.

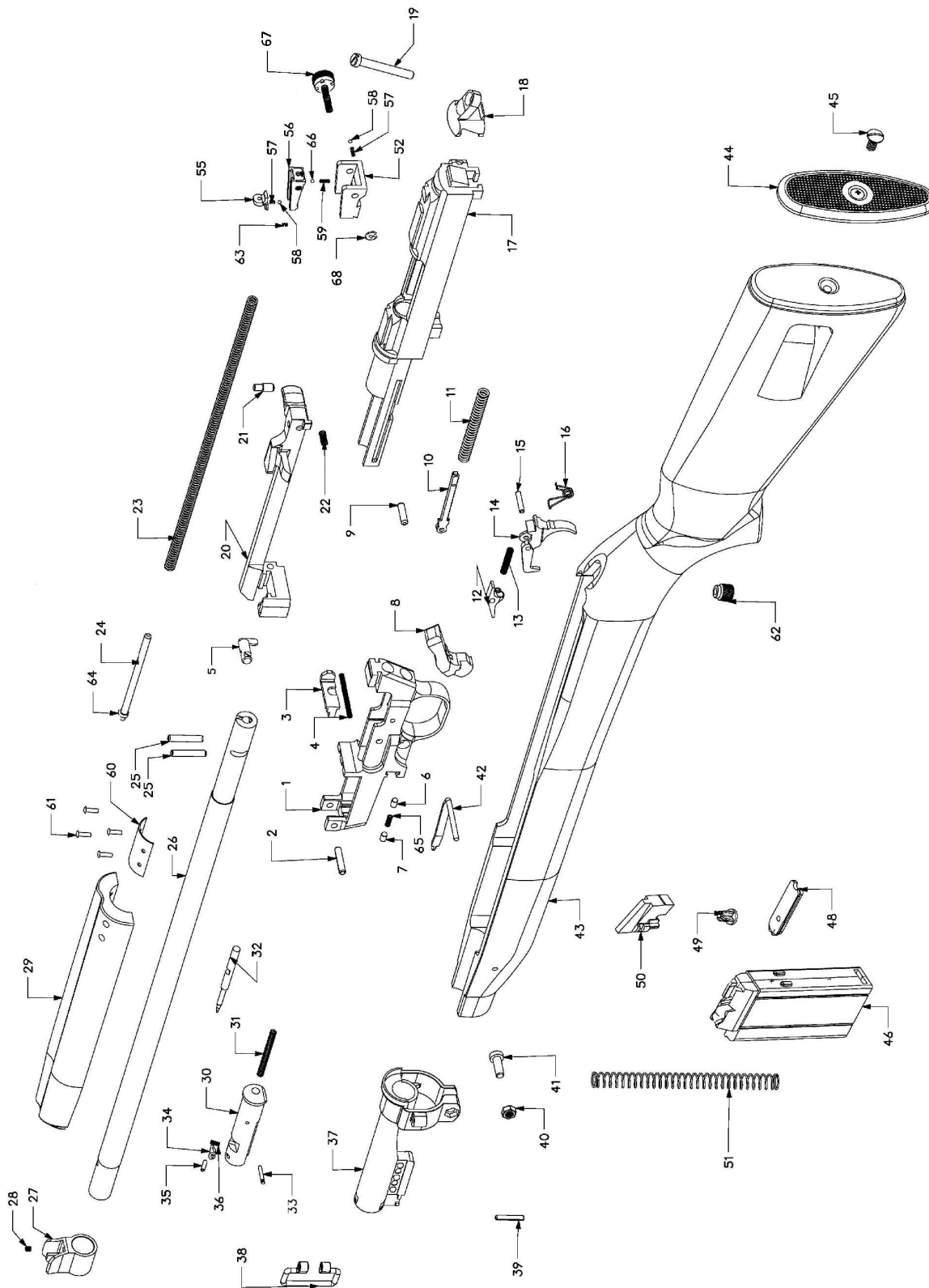
Unloading the magazine immediately after using the gun is a practice of safety and good maintenance.

TROUBLESHOOTING TIPS

PROBLEM	CAUSE	SOLUTION
Last Round Bolt Stop Failure	Bolt travel not sufficient	For caliber .22LR: use slightly faster ammunition - remember the gun is tuned to shoot ammo with velocity 1050 - 1200 ft/sec
	Too high velocity in recoil	Use slightly less powerful ammunition, too much velocity may compromise the correct functioning of the bolt stop
	Dirt / Debris in Action	If you have been shooting for a while or using ammunition with excessive fouling, it may be necessary to clean the firearm.
The bolt doesn't cycle correctly or is stuck	Not enough pressure to cycle	For caliber .22LR: use slightly faster ammunition - remember the gun is tuned to shoot ammo with velocity 1050 - 1200 ft/sec
	Dirt / Debris in Action – in breech cycle	Disassemble, clean carefully and oil the upper
	Ammunition too short or too long for chamber.	Check the ammunition / Consider different types of ammunition
	Bolt not completely closed	Carefully clean the breech bolt and barrel & chamber area
Fail to Fire (DNF)	Ammunition with rim out of tolerance	Change type or brand of ammunition
	Weak hammer spring	Contact our service center
	Firing pin damaged or broken	Contact our service center to obtain a new firing pin
	Dirty chamber	Clean cartridge chamber with cleaning brush
Failure to Extract Empty Shell	Damaged Chamber	Contact a professional gunsmith to polish the chamber
	Damaged Extractor	Contact our service center to obtain a new extractor
	Weak Extractor Spring	Contact our service center to obtain a new extractor spring
	Ammunition with rim out of tolerance	Change type or brand of ammunition

The empty shell does not eject (stove pipe)	Not enough pressure to cycle	For caliber .22LR: use slightly faster ammunition - remember the gun is tuned to shoot ammo with velocity 1050 - 1200 ft/sec
The bolt stays completely open	Damaged ejector	Replace magazine
	Dirty chamber	Clean cartridge chamber with cleaning brush
	Damaged chamber	Contact manufacturer for inspection (read warranty)
	Damaged extractor	Contact our service center to obtain a new extractor
	Weak extractor spring	Contact our service center to obtain a new extractor spring
	Dirt / Debris in Action	Disassemble and carefully clean the gun
	Weak recoil spring	Contact our service center to obtain a new spring.
Ammunition does not chamber	Incorrect Ammunition	Check the ammunition and change type if necessary
	Chamber obstruction	Clean the chamber thoroughly
Magazine is stuck	Dirt / Debris in action or chamber	Disassemble and carefully clean the gun
	Magazine not properly seated	Check the magazine for correct fit and operation.
	Bullet crimp / design	Check the ammunition and change type if necessary
	Dirt / Debris buildup	Clean the magazine thoroughly
	Ammunition is too long	Change type of ammunition
The gun fires with safety "On"	Mechanical Issue	Do not attempt to use the gun, contact our service center immediately to arrange shipment of the gun
The gun shoots low	Rear sight needs adjustment	Lift the rear sight to raise the point of impact or vice versa to lower it.
Shooting left or right (Windage)	Rear sight needs adjustment	Move the rear sight the opposite direction of error (If POI "Point of Impact" is left of center, move the rear sight to the right)

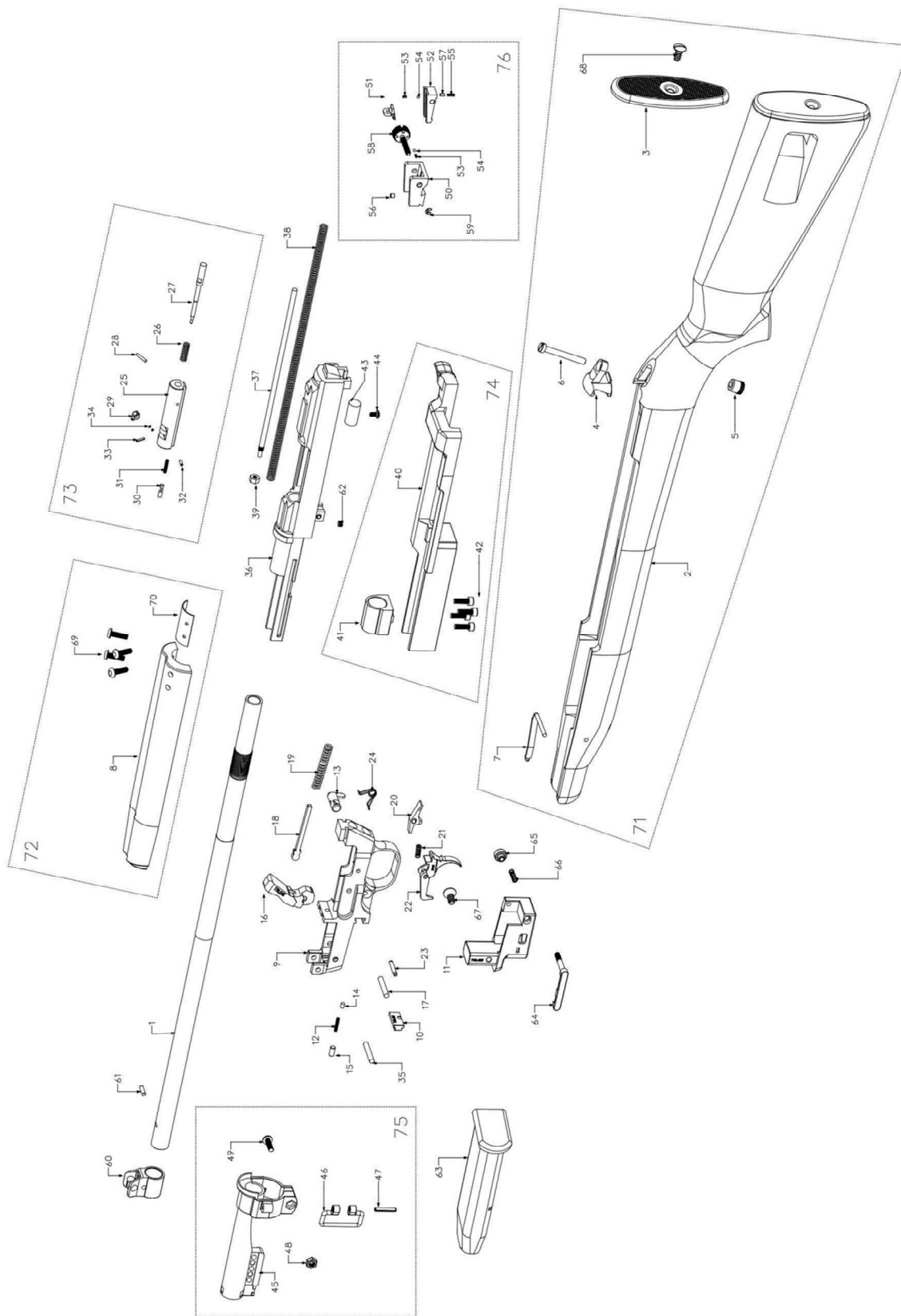
EXPLODED VIEW – M1-22 Caliber .22LR



PARTS LIST – M1-22 Caliber .22LR

CODE	DESCRIPTION	REF.	500.082	500.083	CODE	DESCRIPTION	REF.	500.082	500.083
750.154	M1 Trigger guard	1	1	1	730.937	M1 - Firing pin pin	33	1	1
130.002	Roll pin heavy duty 4x20	2	1	1	770.546	M1 - Extractor	34	1	1
750.155	M1 Magazine release button	3	1	1	130.087	SPRING PIN 2X6	35	1	1
720.004	Spiral spring 2.5x16x0.4	4	1	1	720.020	Spiral spring 2,3x5,6x0,35	36	1	1
750.156	M1 Safety lever	5	1	1	750.157	M1 Barrel band	37	1	1
130.107	Roller d.3x3.8	6	1	1	740.330	M1 - Swivel	38	1	1
130.025	Pin 4x8	7	1	1	130.086	Coiled spring pin 3x18	39	1	1
770.545	M1 - Hammer	8	1	1	150.008	Nut M5	40	1	2
130.098	Round spring d4x24	9	1	1	103.025	Screw M5X14	41	1	1
760.154	M1 - Hammer spring guide rod	10	1	1	750.176	Band Spring - M1	42	1	1
720.126	Spiral spring 7x42.8x1.2	11	1	1	780.123	M1 - Wooden stock	43	1	1
770.544	M1 - Sear	12	1	1	760.152	M1 Butt plate	44	1	1
720.127	Spiral spring 4x11x0.5	13	1	1	120.016	Screw 5x25 black	45	1	1
740.326	M1 - Trigger	14	1	1	750.192	Magazine shell M1 in ixef	46	1	1
130.012	Pin 3x15,8	15	1	1	750.167	M1 - Magazine floor	48	1	1
721.144	M1 - Trigger spring	16	1	1	750.166	M1 - Magazine assembly pin	49	1	1
740.327	M1 - Upper	17	1	1	750.168	M1 - Magazine follower	50	1	1
740.331	M1 - Tang	18	1	1	720.125	Spiral spring 9.8x102.3x0.6 20 coils	51	1	1
103.024	Screw M5X40	19	1	1	750.159	M1 - Rear sight base	52	1	1
740.328	M1 Charging handle - bolt carrier	20	1	1	750.161	M1 - Rear sight leaf	55	1	1
730.935	M1 Charging handle - slide stop	21	1	1	750.160	M1 - Rear sight ladder	56	1	1
720.007	Spiral spring 4X9X0,4	22	1	1	720.032	Spiral spring 2x2x0,3	57	2	2
720.122	Spiral spring 6.4x259x09 120 coils	23	1	1	130.021	Sphere dia.2	58	2	2
730.936	M1 - Charging handle spring rod	24	1	1	720.003	Spiral spring 2x6x0.4	59	1	1
730.962	M1 - Barrel fixing pin	25	2	2	760.153	M1 - Forend plate	60	1	1
710.305	M1 BARREL LINER UNFINISHED	26	1	1	130.097	Rivet 2.5X8, semi-threaded	61	4	4
750.158	M1 - Front sight	27	1	1	730.961	M1 - Stock nut	62	1	1
104.024	Grub nut M3x6	28	1	1	104.023	Grub Nut M3X3	63	1	1
780.122	M1 - Wooden forend	29	1	1	150.001	Nut M6 blued	64	1	1
750.177	M1 Polymer forend	29	1	1	720.056	Spiral spring 2,5x12,5x0,4	65	1	1
730.941	M1 - Bolt	30	1	1	130.100	Roller 2x3,8 dia	66	1	1
720.000	Spiral spring 3,8x41x0,3	31	1	1	140.001	Snap ring 2,3 shaft 3	67	1	1
730.940	M1 - Firing pin	32	1	1	731.037	Rear sight screw LITTLE BADGER	68	1	1

EXPLODED VIEW – M1-9 Caliber 9x19mm



PARTS LIST – M1-9 Caliber 9x19mm

Ref.	Code	Description	Ref.	Code	Description
1	710.365	Barrel M1-9 black 19"	39	150.001	Nut M6 blued
2	780.185	Wooden stock for M1-9mm	40	790.234	Action lever M1-9
3	760.152	M1 Butt plate	41	770.617	Action lever bushing M1-9
4	740.331	M1 - Tang	42	100.022	Screw M4x12
5	730.961	M1 - Stock nut	43	250.026	Adiprene/90sh Ø 10mm cylinder
6	103.024	Screw M5X40	44	100.003	Autothr. phillips screw 2.9x6 buttonhead
7	760.155	M1 - Band retaining spring	45	750.157	M1 Barrel band
8	780.122	M1 - Wooden forend	46	740.330	M1 - Swivel
9	750.233	Trigger guard M1-9	47	130.102	Spring pin 3x20 spirol
10	740.466	Adaptor locking botton M1-9	48	150.008	Nut M5
11	740.465	Magazine adapter M1-9	49	103.025	Screw M5X14
12	720.056	Spiral spring 2,5x12,5x0,4	50	740.467	Rear sight base
13	750.156	M1 Safety lever	51	740.469	Rear sight leaf
14	130.107	Roller d.3x3.8	52	740.468	Rear sight ladder
15	130.025	Pin 4x8	53	720.032	Spiral spring 2x2x0,3
16	770.638	Hammer M1-9	54	130.021	Sphere dia.2
17	130.098	Round spring d4x24	55	720.003	Spiral spring 2x6x0.4
18	760.154	M1 - Hammer spring guide rod	56	104.023	Grub Nut M3x3
19	720.126	Spiral spring 7x42.8x1.2	57	130.100	Roller 2x3,8 dia
20	770.544	M1 - Sear	58	731.037	Rear sight screw LITTLE BADGER
21	720.143	Spiral spring 4x15x0.6	59	140.001	Snap ring 2,3 shaft 3
22	770.606	Trigger	60	740.470	Front sight, M1-9
23	130.012	Pin 3x15,8	61	130.091	Coiled spring pin 3x12
24	721.195	Special spring for M1-9 trigger	62	104.014	Grub screw HOLO-KNURL POINT 8-32x1/8
25	731.074	Breech	63	470.052	Magazine M1-9, 9mm , 10 round
26	720.023	Spiral spring 5,2x17x0,8	64	770.604	Magazine locking lever M1-9
27	731.072	Firing Pin	65	731.071	Magazine release button M1-9
28	731.112	Firing pin plug	66	720.040	Spiral spring 5.7x19.5x0.5
29	770.605	Extractor	67	101.013	Self.tapping Torx screw TSP 3,9x13
30	731.073	Ejector	68	120.016	Screw 5x25 black
31	720.056	Spiral spring 2,5x12,5x0,4	69	130.097	Rivet 2.5X8, semi-threaded
32	130.087	SPRING PIN 2X6	70	760.153	M1 - Forend plate
33	130.001	Coiled spring pin light duty 1,5x8	71	O98.603	Stock assembly M1-9, WOOD
34	720.109	SA Lever spring (Rhino 20DS AND 200DS)	72	O98.472	M1 Wooden stock - forend assembly
35	130.002	Roll pin heavy duty 4x20	73	O98.586	Breech block assembly M1-9
36	740.476	Receiver M1-9	74	O98.589	Action lever assembly M1-9
37	730.936	M1 - Charging handle spring rod	75	O98.467	Bayonet Connection Assembly - M1-22
38	720.141	Spiral spring 6.4x259x1.1 120 coils	76	O98.587	Rear sight assembly M1-9

WARRANTY CONDITIONS

Chiappa Firearms guarantees that our products are scrupulously checked against defects in materials, workmanship and aesthetical and functioning problems.

In case you find a defect in one of our products, you should immediately contact the DEALER/SHOP/GUNSMITH where you have bought your gun. The seller will indicate the conditions for the repair, which will be either made directly by them or through our assistance.

ATTENTION: end users are not allowed to ship any gun directly to the manufacturer for repair, either under guarantee or against payment. Transportation of firearms is strictly regulated and the documents which are required can solely be issued by companies with specific authorization.

1. Chiappa Firearms will warrant for structural or project defects without any time limit.
2. Chiappa Firearms guarantees, for a year after the purchase date to the original owner, the free substitution of parts for defects which have been found out during use: wear of parts which shouldn't be subject to wear, or excessive wear of parts subject to wear. The customer will have to give evidence of the purchase date with a bill or other valid proof.
3. In case the defect under cover of guarantee is not repairable, Chiappa Firearms will provide for a free substitution of the firearm.

KIMAR/CHIAPPA FIREARMS RESERVES THE RIGHT OF DEFINING THE TYPE OF DEFECT OF THE FIREARM, AND THEREFORE TO STATE WHETHER THE DEFECT IS COVERED BY GUARANTEE

Kimar/Armi Sport/Chiappa Firearms' decision will be fair but final.

Chiappa Firearms will be allowed a timing of 60 days for repair under guarantee, and 90 days for free substitution.

We strongly recommend that you keep the receipt or proof of purchase for any Chiappa Firearms product

Should Kimar/Armi Sport/Chiappa Firearms become aware of a defect of a product during the guarantee period, the defective part will be replaced free of charge.

The guarantee does not cover parts subject to wear and corrosion

ATTENTION: delivery expenses to and from the service center are not covered by the guarantee and will be charged to the customer.

THE GUARANTEE IS VOID IN CASE:

- Inadequate ammunition has been used (any ammunition but those commonly on sale, reloaded ammunition, different from caliber and specification indicated on the gun barrel)
- The gun failed to be provided proper maintenance and cleaning
- The gun has been modified without our prior consent
- Unauthorized, inadequate or incorrect repairs have been carried out
- Non original spare parts were used
- Parts subject to wear and corrosion
- Damage (improper use of the gun by the user)
- Expired guarantee

In the above cases the repair, if carried out, will be charged to the customer

In case, for any valid reason, you do not have the possibility to obtain repair under guarantee at the shop where you bought the gun, you may contact us directly; we will indicate a local dealer to support you with the repair file:

email: info@chiappafirearms.com
Phone: +39/030/9749065
e-mail: info@chiappafirearms.com

**This instruction manual must always follow the firearm,
also in case of change of ownership**

Procedure for the usage of the guarantee

BEFORE shipping the firearm back for repair, the customer should contact the gunshop where the product was bought. The customer should supply proper information on the defect, and the relevant file will then be started.

The gun shop will be given by the Chiappa Firearms warranty facility an “NDR” (Repair Number). The firearm will have to be returned to the gun shop in its original packing, with a copy of the purchase date, the Guarantee Form (attached) duly filed with indication of the NDR number, according to the instructions of Chiappa Firearms or of the dealer.

ATTENTION: the returned gun must be protected with adequate packaging; any damages occurred during transportation and handling will be the customer’s responsibility



www.chiappafirearms.com

Brescia, Italy   Dayton, OH

Via Milano, 2 • 25020 Azzano Mella • Brescia, Italy • +39.030.97.49.065

1415 Stanley Ave • Dayton, OH • USA • +1.937.835.5000

info@chiappafirearms.com